

Form 20600
(752)
Printed in U.S.A.

LIST OF PARTS



MACHINES
Nos. 247-4 and 247-5

** A TRADE MARK OF
THE SINGER MANUFACTURING COMPANY

From the library of: Diamond Needle Corp

INSTRUCTIONS FOR OILING

To ensure easy running and prevent unnecessary wear of the parts which are in movable contact, the machine requires oiling and when in continuous use, "TYPE B" or "TYPE D" OIL, sold only by Singer Sewing Machine Company, should be applied at least twice each day to all oil holes marked "OIL," as instructed in Form 20429.

"TYPE D" OIL is stainless.

SPECIAL NOTICE

The letter "O," marked on oil pipe couplings must always be at the top. This is to insure that the oil spoon, attached to the inner end of each coupling, is open side up.

INDEX

| | Page |
|---------------------------------|------|
| Accessories | 26 |
| Belt Guard | 26 |
| Bench Stand | 26 |
| Chip Chute | 26 |
| Foot Lifter Parts..... | 27 |
| Fittings for 247-4 Machine..... | 23 |
| Fittings for 247-5 Machine..... | 24 |
| Knee Lifter Parts..... | 27 |
| Machine Base | 27 |
| Machine No. 247-4 | 7 |
| Machine No. 247-5..... | 15 |
| Numerical List of Parts..... | 29 |
| Thread Unwinder | 28 |

From the library of: Diamond Needle Corp

INSTRUCTIONS FOR ORDERING

In ordering from this list, use ONLY the part NUMBER in the FIRST Column.

The number stamped on a Sewing Machine Part is in every case the number of the single part only.

Every combination of parts sent out as such has its specific number, which, although not stamped on the parts, must be used when ordering the combination.

Each number always indicates the SAME PART in whatever list it appears, or for whatever machine.

The letters after some of the numbers indicate the style of finish only, as follows:

- A-Hardened, Polished, Nickel Plated and Buffed.
- A.A- Buffed and Chromium Plated.
- A.B-Hardened, Polished, Buffed and Chromium Plated.
- A.C-Brown Baking Enamel Finish.
- A.D-Gray Baking Enamel Finish.
- A.E-Hardened, Bright Rumbled and Nickel Plated.
- A.F-Hardened, Bright Rumbled, Nickel Plated, Bright Rumbled and Chromium Plated.
- A.G-Alumilite, Plain.
- A.H-Alumilite Dyed.
- A.J-Polished, Nickel Plated and Chromium Plated.
- A.K-Hardened, Polished, Nickel Plated and Chromium Plated.
- A.L-Heat Treated for Toughness.
- B-Polished, Nickel Plated and Buffed.
- C-Hardened only.
- C.R-Hardened and Merlized.
- D-Polished Only.
- E-Soft, Not Polished.
- F-Hardened and Polished.
- F.J-Hardened, Polished and Nickel Plated.
- G-Bright Rumbled and Nickel Plated.
- H-Blued.
- J-Nickel Plated Only.
- K-Hardened and Nickel Plated.
- L-Brass Plated.
- M-Oxidized.
- N-Japanned, Dull.

INSTRUCTIONS FOR ORDERING - Continued

- P-Japanned, Bright.
- P.P-Wrinkle Finish.
- R-Merlized.
- S-Cadmium Plated.
- T-Copper Plated.
- T.A-Hardened, Polished, Copper and Nickel Plated and Buffed.
- T.B-Copper and Nickel Plated and Polished.
- T.J-Copper and Nickel Plated Only.
- T.K-Hardened, Copper and Nickel Plated.
- T.L-Copper and Brass Plated.
- T.M-Copper Plated and Oxidized.
- U-Zinc Plated.
- V-Silver Plated.
- W-Polished and Nickel Plated.
- X-Black Oxide, for Iron and Steel.
- X.C-Hardened and Black Oxide, for Iron and Steel.
- Y-Black Nickel Plated Only.
- Z-Chromium Plated.
- Z.A-Hardened, Polished, Nickel Plated, Buffed and Chromium Plated.
- Z.B-Polished, Nickel Plated, Buffed and Chromium Plated.
- Z.C-Hardened and Chromium Plated.
- Z.D-Polished and Chromium Plated.
- Z.G-Bright Rumbled, Nickel Plated, Bright Rumbled and Chromium Plated.
- Z.J-Nickel and Chromium Plated.
- Z.T-Copper and Chromium Plated.

These letters MUST BE USED when they appear in the list; and AFTER the number as in the list.

In this series:

1 to 1500, 50001 to 51500 and 140001 to 142000 are Screw Numbers.

1501 to 1800 and 51501 to 51800 are Nut Numbers.

1801 to 2000 and 51801 to 52000 are Roller Numbers.

2001 to 50000 and 52001 to 140000 and 142001 to 190000 are Sewing Machine Parts, 190001 and upward are numbers of Electrical Parts.

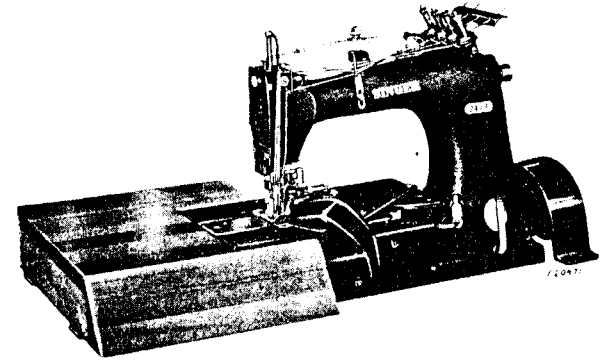
The figures in the second column refer only to the plates, illustrating the parts, and are NOT TO BE USED in ordering.

Parts marked with an asterisk (*) are furnished only when repairs are made at factory.

When ordering parts which differ as to Gauge (the distance between seams) the Gauge, as well as the Number must be given on order.

From the library of: Diaploid Needle Corp

LIST OF PARTS COMPLETE FOR



MACHINE No. 247-4

FOR SEAMING CHILDREN'S WEAR, DRESSES, TROUSERS AND SIMILAR WORK. THREE NEEDLES, TWO LOOPERS. VERTICAL TRIMMER. DIFFERENTIAL FEED FOR GATHERING. NEEDLE BAR STROKE 1-7/32". CLEARANCE UNDER PRESSER FOOT 5/32". GAUGES BETWEEN LEFT AND CENTER NEEDLES FROM 1/16" TO 1/4" IN STEPS OF 1/16" AND BETWEEN CENTER AND RIGHT NEEDLES 1/8" TO 1/4". IN STEPS OF 1/16". MAXIMUM DISTANCE BETWEEN OUTSIDE NEEDLES IS 3/8". SPEED 2800 DEPENDING UPON MATERIAL USED AND OPERATION PERFORMED.

SINGER Needles should be used in SINGER Machines. These Needles and their Containers are marked with the Company's Trade Mark "SIMANCO.***" 1

Needles in Containers marked "FOR SINGER MACHINES" are NOT SINGER made needles. 2

Table with 3 columns: No., Plate, Name. Lists various parts such as Arm, upper and lower (solid) with 948J, 68483 and four 131022, Arm Bottom Cover, Arm Bottom Cover Gasket (cork), Arm Bottom Cover Screw (4), Arm Hole Plug Screw, for access to Crank Connecting Rod (upper bearing), Arm Hole Plug Screw Washer, Arm Oil Cup, for oiling Arm Rock Shaft Front Bearing, Arm Oil Cup, for 131866, Arm Oil Cup Oil Gauge, Arm Oil Cup with Oil Gauge complete, for filling oil reservoir, Nos. 131864 and 131865, Arm Oil Cup Oil Pad for 68350, Arm Rock Shaft and Front Crank with 853AL, 1235F, 50505C and 131819, Arm Rock Shaft Adjusting Screw, Arm Rock Shaft Adjusting Screw Washer, Arm Rock Shaft Bushing (back), Arm Rock Shaft Bushing (back) Cap, Arm Rock Shaft Bushing (back) Cap Washer (fiber), Arm Rock Shaft Bushing (back) Set Screw, Arm Rock Shaft Bushing (intermediate), Arm Rock Shaft Bushing (intermediate) Set Screw, Arm Rock Shaft Crank, back (ball bearing, solid) with two 50083AL, Arm Rock Shaft Crank (back) Set Screw (2), Arm Rock Shaft Flanged Bushing (front), Arm Rock Shaft Flanged Bushing (front) Set Screw, Arm Rock Shaft Oil Pad for oiling Back Bearing, Arm Rock Shaft Oil Pad for oiling Intermediate Bearing, Arm Rock Shaft Oil Plug Screw, Arm Rotary Shaft with 168215, Arm Rotary Shaft 168002 with 131930 and 168010, Arm Rotary Shaft Ball Bearing (back) (2).

From the library of: Diamond

| No. | Plate | Name |
|--------|-------|---|
| 131478 | 25553 | Arm Rotary Shaft Ball Bearing (back) Case |
| 131479 | | Arm Rotary Shaft Ball Bearing (back) Case 131478 with 131369 and three 205C |
| 131526 | | Arm Rotary Shaft Ball Bearing (back) Case with Ball Bearings complete, Nos. 131479, 131480 and two 131366 |
| 131369 | 25553 | Arm Rotary Shaft Ball Bearing (back) Case Cap |
| 205C | 25553 | Arm Rotary Shaft Ball Bearing (back) Case Cap Screw (3) |
| 131370 | 25553 | Arm Rotary Shaft Ball Bearing (back) Case Position Stud (3) |
| 429C | 25553 | Arm Rotary Shaft Ball Bearing (back) Case Set Screw |
| 131480 | 25553 | Arm Rotary Shaft Ball Bearing (back) Spacing Collar |
| 131366 | 25553 | Arm Rotary Shaft Ball Bearing (intermediate) |
| 131481 | 25553 | Arm Rotary Shaft Ball Bearing (intermediate) Case |
| 1304C | 25553 | Arm Rotary Shaft Ball Bearing (intermediate) Case Set Screw |
| 131482 | 25553 | Arm Rotary Shaft Ball Bearing (intermediate) Collar with two 457AL |
| 457AL | 25553 | Arm Rotary Shaft Ball Bearing (intermediate) Collar Set Screw (2) |
| 131959 | 25553 | Arm Rotary Shaft Bushing (front) |
| 68497 | 25553 | Arm Rotary Shaft Bushing (front) Bearing Oil Pad (wick) |
| 68483 | | Arm Rotary Shaft Bushing (front) Bracket with 761E |
| 948J | 25553 | Arm Rotary Shaft Bushing (front) Bracket Screw |
| 131028 | 25553 | Arm Rotary Shaft Bushing (front) Oil Plug |
| 761E | 25553 | Arm Rotary Shaft Bushing (front) Position Screw |
| 131457 | 25553 | Arm Rotary Shaft Bushing (intermediate) |
| 761E | 25553 | Arm Rotary Shaft Bushing (intermediate) Position Screw |
| 42367 | 25553 | Arm Rotary Shaft Bushing (intermediate) Oil Pad (lower) |
| 54218 | 25553 | Arm Rotary Shaft Bushing (intermediate) Oil Pad (upper) |
| 168215 | 25553 | Arm Rotary Shaft Oil Wick |
| 144D | 25553 | Arm Rotary Shaft Screw |
| 131276 | 25551 | Arm Side Cover (oil vent) |
| 131909 | 25551 | Arm Side Cover Cap |
| 131280 | 25551 | Arm Side Cover Cap Position Pin |
| 1289X | 25551 | Arm Side Cover Cap Screw |
| 131910 | 25551 | Arm Side Cover Cap Spring |
| 131911 | 25551 | Arm Side Cover (oil vent) complete, Nos. 1289X, 131276, 131280, 131909 and 131910 |
| 68448 | 25551 | Arm Side Cover Gasket |
| 1057AL | 25551 | Arm Side Cover Screw (4) |
| 168067 | 25555 | Chip Chute |
| 168068 | 25555 | Chip Chute Arm |
| 74C | 25555 | Chip Chute Arm Hinge Screw |
| 6465 | 25555 | Chip Chute Arm Hinge Screw Friction Washer |
| 671W | 25555 | Chip Chute Arm Lock Thumb Screw |
| 164E | 25555 | Chip Chute Screw (2) |
| 168300 | 25555 | Cloth Plate (sectional) with two 1011F |
| 1011F | 25555 | Cloth Plate Connecting Block Screw (2) |
| 168071 | 25555 | Cloth Plate Slide |
| 38419 | 25555 | Cloth Plate Slide Spring |
| 665J | 25555 | Cloth Plate Slide Spring Screw (2) |
| 168072 | 25555 | Cloth Plate Slide complete, Nos. 38419, 168071 and two 665J |
| 168301 | 25555 | Cloth Plate (sectional) complete, Nos. 168072 and 168300 |
| 1011F | 25555 | Cloth Plate Screw (left) (2) |
| 742F | 25555 | Cloth Plate Screw (right) |
| 131926 | 25553 | Crank Connecting Rod with two each 1057AL, 51715AL, 131927 and 131928 |

NOTE: When No. 131926 is required for repairs, Connecting Rod and Arm Rock Shaft Crank (back) fitted together will be furnished. All Agency orders for the part must state the Machine No. for which it is required, in order to obtain correct Needle Bar Stroke.

| No. | Plate | Name |
|---------|-------|--|
| 131930 | | Crank Connecting Rod 131926 with 131072 |
| 131927 | 25553 | Crank Connecting Rod Cap (lower) Screw Stud (2) |
| 51715AL | 25553 | Crank Connecting Rod Cap (lower) Screw Stud Nut (2) |
| 131928 | 25553 | Crank Connecting Rod Cap (lower) Screw Stud Nut Lock Washer (2) |
| 1057AL | 25553 | Crank Connecting Rod Cap (upper) Screw (2) |
| 131760 | 25556 | Face Plate (lower half) |
| 131761 | 25556 | Face Plate (lower half) Gasket (cork) |
| 330J | 25556 | Face Plate (lower half) Screw (2) |
| 131762 | 25556 | Face Plate (upper half) |
| 29234 | 25556 | Face Plate (upper half) Position Plate |
| 1053E | 25556 | Face Plate (upper half) Position Plate Screw |
| 50190W | 25556 | Face Plate (upper half) Thumb Screw |
| 168074 | 25558 | Feed (back) Bar with 620AL, 1147AL and 50429AL |
| 131766 | 25558 | Feed (back) Bar Hinge Pin |
| 889AL | 25558 | Feed (back) Bar Hinge Pin Set Screw |
| 168076 | 25558 | Feed (back) Bar Slide Block (two pieces) |
| | | Feed (back) Dog (See Fittings Page Nos. 23 and 24) |
| 157J | 25565 | Feed (back) Dog Screw |
| 50429AL | 25558 | Feed (back) Dog Stop Screw |
| 147568 | 25558 | Feed (front) Bar |
| 147569 | 25558 | Feed (front) Bar Feed Dog Seat (adjustable) |
| 51408AL | 25558 | Feed (front) Bar Feed Dog Seat Screw |
| 147570 | | Feed (front) Bar complete, Nos. 51408AL, 147568 and 147569 |
| 147571 | | Feed (front) Bar 147570 with 131769 and 131770 |
| 131769 | 25558 | Feed (front) Bar Guide |
| 704E | 25558 | Feed (front) Bar Guide Screw |
| 131770 | 25558 | Feed (front) Bar Slide Bar |
| 1147AL | 25558 | Feed (front) Bar Slide Bar Set Screw |
| | | Feed (front) Dog (See Fittings Page Nos. 23 and 24) |
| 190J | 25565 | Feed (front) Dog Screw |
| 131500 | 25553 | Feed Connecting Rod with 1057AL, 68497, 134260 and two 896AL |
| 168010 | | Feed Connecting Rod 131500 with 168011 |
| 896AL | 25553 | Feed Connecting Rod Cap Screw (2) |
| 1057AL | 25553 | Feed Connecting Rod Clamping Screw |
| 131772 | 25558 | Feed Connecting Rod Hinge Pin (eccentric) |
| 59343 | 25558 | Feed Connecting Rod Hinge Pin Collar with 735AL |
| 735AL | 25558 | Feed Connecting Rod Hinge Pin Collar Set Screw |
| 68497 | 25553 | Feed Connecting Rod Oil Pad (wick) |
| 134260 | 25553 | Feed Connecting Rod Oil Pad Retainer |
| 51061AL | 25553 | Feed Eccentric Body Set Screw (3) |
| 7071 | 25553 | Feed Eccentric Clamping Washer (2) |
| 217J | 25553 | Feed Eccentric Clamping Washer Screw (2) |
| 138306 | | Feed Eccentric Lubricating Pad (wood) |
| 168011 | | Feed Eccentric (adjustable) complete, Nos. 1103C, 138306, two each 217J, 7071 and three 51061AL |
| 168012 | 25553 | Feed Lifting Eccentric with three 624AL |
| 624AL | 25553 | Feed Lifting Eccentric Set Screw (3) |
| 1103C | 25553 | Feed Regulating Screw |
| 131773 | 25558 | Feed Rocking Frame with 889AL and two 1036AL |
| 168304 | | Feed Rocking Frame 131773 with 61C, 704E, 1655E, 51700C, 59343, 131766, 131772, 131775, 131779, 131780, 131781, 140311C, 147571 and 168074 |
| 131775 | 25558 | Feed Rocking Frame Hinge Pin |
| 57235 | 25558 | Feed Rocking Frame Hinge Pin Bushing (2) |
| 453AL | 25558 | Feed Rocking Frame Hinge Pin Bushing Set Screw (2) |
| 1036AL | 25558 | Feed Rocking Frame Hinge Pin Set Screw (2) |
| 131776 | 25558 | Gathering Feed Actuating Lever |
| 131777 | 25558 | Gathering Feed Actuating Lever Bracket with 175C, 910AL, and two 1735C |

From the Library of Harold Neale Top

| No. | Plate | Name |
|---------|-------|--|
| 131867 | 25558 | Gathering Feed Actuating Lever Bracket 131777 with 359C, 1226C, 1520J, 9525, 50183F, 131776 and two 1654C..... |
| 172J | 25558 | Gathering Feed Actuating Lever Bracket Screw (2)..... |
| 50183F | 25558 | Gathering Feed Actuating Lever Hinge Screw..... |
| 1520J | 25558 | Gathering Feed Actuating Lever Hinge Screw Nut..... |
| 359C | 25558 | Gathering Feed Actuating Lever Locking Screw..... |
| 1654C | 25558 | Gathering Feed Actuating Lever Locking Screw Lock Nut..... |
| 1654C | 25558 | Gathering Feed Actuating Lever Locking Screw Nut..... |
| 9525 | 25558 | Gathering Feed Actuating Lever Locking Screw Washer..... |
| 131778 | 25558 | Gathering Feed Actuating Lever Spring..... |
| 170C | 25558 | Gathering Feed Actuating Lever Spring Screw Stud (lower)..... |
| 1226C | 25558 | Gathering Feed Actuating Lever Spring Screw Stud (upper)..... |
| 910AL | 25558 | Gathering Feed Actuating Lever Stop Screw (lower)..... |
| 1735C | 25558 | Gathering Feed Actuating Lever Stop Screw (lower) Nut..... |
| 175C | 25558 | Gathering Feed Actuating Lever Stop Screw (upper)..... |
| 1735C | 25558 | Gathering Feed Actuating Lever Stop Screw (upper) Nut..... |
| 131779 | 25558 | Gathering Feed Regulator with two 1057AL..... |
| 1057AL | 25558 | Gathering Feed Regulator Clamping Screw (2)..... |
| 131780 | 25558 | Gathering Feed Regulator Connection..... |
| 140311C | 25558 | Gathering Feed Regulator Connection Hinge Screw (back)..... |
| 51700C | 25558 | Gathering Feed Regulator Connection Hinge Screw (back) Nut..... |
| 131781 | 25558 | Gathering Feed Regulator Connection Hinge Screw (back) Nut Washer..... |
| 61C | 25558 | Gathering Feed Regulator Connection Hinge Screw (front)..... |
| 1655E | 25558 | Gathering Feed Regulator Connection Hinge Screw (front) Nut..... |
| 168080 | 25560 | Knife (movable)..... |
| 1000C | 25560 | Knife (movable) Clamping Screw..... |
| 168081 | 25560 | Knife (movable) Holder with 1000C..... |
| 42038 | 25560 | Knife (movable) Holder Guide with 336F..... |
| 42039 | 25560 | Knife (movable) Holder Guide Plate..... |
| 621E | 25560 | Knife (movable) Holder Guide Plate Screw (2)..... |
| 336F | 25560 | Knife (movable) Holder Guide Screw..... |
| 42041 | 25560 | Knife (movable) Holder Spring..... |
| 168082 | 25560 | Knife (movable) Lever with 1178C and 20437..... |
| 168187 | | Knife (movable) Lever 168082 with 1722J, 14017, 132583 and 168086..... |
| 168083 | 25560 | Knife (movable) Lever Bearing Arm..... |
| 168084 | 25560 | Knife (movable) Lever Bearing Arm Bracket..... |
| 172E | 25560 | Knife (movable) Lever Bearing Arm Bracket Screw (2)..... |
| 54369 | 25560 | Knife (movable) Lever Bearing Arm Collar with two 465AL..... |
| 456AL | 25560 | Knife (movable) Lever Bearing Arm Collar Set Screw (2)..... |
| 1178C | 25560 | Knife (movable) Lever Clamping Screw..... |
| 20437 | 25560 | Knife (movable) Lever Clamping Screw Washer..... |
| 168085 | 25560 | Knife (movable) Lever Connecting Link..... |
| 132583 | 25560 | Knife (movable) Lever Connecting Link Hinge Pin with 132584 (2)..... |
| 132584 | 25560 | Knife (movable) Lever Connecting Link Hinge Pin Oil Pad (wick) (2)..... |
| 620AL | 25560 | Knife (movable) Lever Connecting Link Hinge Pin Set Screw (2)..... |
| 168086 | 25560 | Knife (movable) Lever Connection with 620AL..... |
| 1722J | 25560 | Knife (movable) Lever Connection Nut..... |
| 14017 | 25560 | Knife (movable) Lever Connection Nut Washer..... |
| 168087 | 25560 | Knife (movable) Lever Hinge Screw Stud..... |
| 1756J | 25560 | Knife (movable) Lever Hinge Screw Stud Nut..... |
| 168088 | 25560 | Knife (stationary)..... |
| 168089 | 25560 | Knife (stationary) Clamping Plate..... |
| 168090 | 25560 | Knife (stationary) Holder..... |
| 48AL | 25560 | Knife (stationary) Holder Set Screw..... |
| 1253AL | 25560 | Knife (stationary) Set Screw..... |

| No. | Plate | Name |
|----------|-------|---|
| 168195 | 25561 | Looper (back)..... |
| 168196 | 25561 | Looper (front)..... |
| 208AL | 25561 | Looper (front) Screw (2)..... |
| 168197 | 25561 | Loopers complete, Nos. 168195, 168196 and two 208AL..... |
| 168016 | 25561 | Looper Carrier..... |
| 168208 | | Looper Carrier 168016 with 132583, 168019, 168020, 168021, and 168023..... |
| 168238 | | Looper Carrier 168208 with 168017 and 168205..... |
| 168017 | 25561 | Looper Carrier Shaft with 1231E..... |
| 168018 | 25561 | Looper Carrier Shaft Crank with two 1057AL..... |
| 1057AL | 25561 | Looper Carrier Shaft Crank Clamping Screw (2)..... |
| 68497 | 25553 | Looper Carrier Shaft Oil Pad (wick)..... |
| 1231E | 25561 | Looper Carrier Shaft Plug Screw..... |
| 1497C | 25561 | Looper Carrier Shaft Set Screw..... |
| 168012 | 25553 | Looper (avoiding motion) Eccentric with three 624AL..... |
| 168019 | 25561 | Looper (avoiding motion) Eccentric Connection with 223C..... |
| 132583 | 25561 | Looper (avoiding motion) Eccentric Connection Hinge Pin with 132584..... |
| 132584 | 25561 | Looper (avoiding motion) Eccentric Connection Hinge Pin Oil Wick..... |
| 223C | 25561 | Looper (avoiding motion) Eccentric Connection Hinge Pin Set Screw..... |
| 168020 | 25561 | Looper (avoiding motion) Eccentric Connection Holder..... |
| 168021 | 25561 | Looper (avoiding motion) Eccentric Connection Holder Screw Bushing..... |
| 168022 | 25561 | Looper (avoiding motion) Eccentric Connection Holder Screw Bushing Bearing..... |
| 448AL | 25561 | Looper (avoiding motion) Eccentric Connection Holder Screw Bushing Set Screw (2)..... |
| 168023 | 25561 | Looper (avoiding motion) Eccentric Connection Holder Thrust Bearing..... |
| 624AL | 25553 | Looper (avoiding motion) Eccentric Set Screw (3)..... |
| 168024 | 25561 | Looper (driving) Eccentric with three 1036AL..... |
| 168025 | 25561 | Looper (driving) Eccentric Connection with two each 175C and 140159AL..... |
| 168205 | | Looper (driving) Eccentric Connection 168025 with 50138E, 168018, 168024 and 168026..... |
| 175C | 25561 | Looper (driving) Eccentric Connection Cap (lower) Screw (2)..... |
| 140159AL | 25561 | Looper (driving) Eccentric Connection Cap (upper) Screw (2)..... |
| 168026 | 25561 | Looper (driving) Eccentric Connection Position Plate..... |
| 50138E | 25561 | Looper (driving) Eccentric Connection Position Plate Screw..... |
| 1036AL | 25561 | Looper (driving) Eccentric Set Screw (3)..... |
| 131504 | 25561 | Looper Holder with 1120AL..... |
| 51119J | 25561 | Looper Holder Screw..... |
| 1120AL | 25561 | Looper Set Screw..... |
| 131914 | 25553 | Machine Driving Pulley "V" Belt groove (outside diam. of belt groove 2.9 in.) with two 51283AL, for 3/8 in. "V" belt..... |
| 51283AL | 25553 | Machine Driving Pulley Set Screw (2)..... |
| 131497 | 25556 | Needle Bar (hollow)..... |
| 131291 | 25556 | Needle Bar complete, (See Fittings Page Nos. 23 and 24)..... |
| 1133E | 25556 | Needle Bar Bushing (lower)..... |
| 64320 | 25556 | Needle Bar Bushing (lower) Set Screw..... |
| 1133E | 25556 | Needle Bar Bushing (upper)..... |
| 168030 | 25556 | Needle Bar Bushing (upper) Set Screw..... |
| 168031 | | Needle Bar Connecting Link..... |
| 68489 | 25556 | Needle Bar Connecting Link 168030 with 68489 and 131492..... |
| 1520J | 25556 | Needle Bar Connecting Link Hinge Stud (hollow)..... |
| 131270 | 25556 | Needle Bar Connecting Link Hinge Stud Nut..... |
| 861C | 25556 | Needle Bar Connecting Link Hinge Stud Oil Pad (wick)..... |
| | | Needle Bar Connecting Link Hinge Stud Oil Plug Screw..... |

From February 1941 Catalog No. 247-4

| No. | Plate | Name |
|--------|-------|---|
| 853AL | 25552 | Needle Bar Connecting Link Hinge Stud Set Screw |
| 131492 | 25556 | Needle Bar Connecting Stud with 1492E |
| 1492E | 25556 | Needle Bar Connecting Stud Clamping Screw |
| | | Needle Clamp (See Fittings Page Nos. 23 and 24) |
| | | Needle Guard (movable) (See Fittings Page Nos. 23 and 24) |
| 168035 | 25565 | Needle Guard (movable) Holder |
| 51369E | 25565 | Needle Guard (movable) Holder Screw |
| 51047C | 25565 | Needle Guard (movable) Screw |
| 7071 | 25565 | Needle Guard (movable) Screw Washer |
| 904AL | 25556 | Needle Set Screw (back) (2) |
| 906AL | 25556 | Needle Set Screw (front) |
| 68492 | 25562 | Oil Pipe (back of arm) with 68497, for oiling Feed Rocking Frame Hinge Pin Front Bearing |
| 68493 | 25562 | Oil Pipe (back of arm) Clamp |
| 176E | 25562 | Oil Pipe (back of arm) Clamp Screw |
| 68494 | 25562 | Oil Pipe (back of arm) Connection with 68495 and two 198E, for oiling Feed Rocking Frame Hinge Pin Back Bearing |
| 198E | 25562 | Oil Pipe (back of arm) Connection Cap Screw (2) |
| 68495 | 25562 | Oil Pipe (back of arm) Connection Oil Pad (wick) |
| 68496 | 25562 | Oil Pipe (back of arm) Coupling |
| 1733 | 25562 | Oil Pipe (back of arm) Coupling Nut (brass) |
| 68497 | 25562 | Oil Pipe (back of arm) Oil Pad (wick) |
| 168036 | 25562 | Oil Pipe (front of arm, long) with two 1733 |
| 168037 | | Oil Pipe (front of arm, long) complete, Nos. 168036, 168038 and 168039 |
| 131004 | 25562 | Oil Pipe (front of arm, long) Coupling (left) |
| 131798 | 25562 | Oil Pipe (front of arm, long) Coupling (right) |
| 1733 | 25562 | Oil Pipe (front of arm, long) Coupling Nut (brass) (2) |
| 168038 | 25562 | Oil Pipe (front of arm, long) Oil Lead with 1733, and 131003, for oiling Arm Rotary Shaft Front Bearing |
| 168039 | 25562 | Oil Pipe (front of arm, long) Oil Lead with 68497 and 131003, for oiling Feed Connecting Rod |
| 131003 | 25562 | Oil Pipe (front of arm, long) Oil Lead Connection with two 198E, for 168038 and 168039 (2) |
| 198E | 25562 | Oil Pipe (front of arm, long) Oil Lead Connection Cap Screw (4) |
| 131004 | 25562 | Oil Pipe (front of arm, long) Oil Lead Coupling |
| 1733 | 25562 | Oil Pipe (front of arm, long) Oil Lead Coupling Nut (brass) |
| 68497 | 25562 | Oil Pipe (front of arm, long) Oil Lead Oil Pad (wick) |
| 168040 | 25562 | Oil Pipe (front of arm, short) with 131089 and two 1733 |
| 131064 | 25562 | Oil Pipe (front of arm, short) Coupling (2) |
| 1733 | 25562 | Oil Pipe (front of arm, short) Coupling Nut (brass) (2) |
| 131089 | | Oil Pipe (front of arm, short) Oil Pad (wick) |
| 168097 | 25555 | Oil Splash Guard |
| 330J | 25555 | Oil Splash Guard Screw (2) |
| 168042 | 25555 | Oil Splash Guard (side of arm) |
| 54038 | 25555 | Oil Splash Guard (side of arm) Holder |
| 190J | 25555 | Oil Splash Guard (side of arm) Holder Screw |
| 217J | 25555 | Oil Splash Guard (side of arm) Screw |
| 131912 | 25556 | Presser Bar (hollow) |
| 38456 | 25556 | Presser Bar Bushing (upper) |
| 1133E | 25556 | Presser Bar Bushing (upper) Set Screw |
| 131799 | 25556 | Presser Bar Lifting Bracket with 453AL |
| 11173 | 25556 | Presser Bar Lifting Bracket Guide |
| 453AL | 25556 | Presser Bar Lifting Bracket Guide Set Screw |
| 453AL | 25556 | Presser Bar Lifting Bracket Set Screw |
| 131402 | 25563 | Presser Bar Lifting Lever |
| 168043 | 25563 | Presser Bar Lifting Lever Extension |
| 161J | 25563 | Presser Bar Lifting Lever Extension Screw (2) |
| 802X | 25563 | Presser Bar Lifting Lever Hinge Screw |
| 131749 | 25551 | Presser Bar Spring |
| 131750 | 25551 | Presser Bar Spring (auxiliary) |
| 38468 | 25551 | Presser Bar Spring Stud |

| No. | Plate | Name |
|---------|-------|---|
| 168044 | 25551 | Presser Bar Spring complete, Nos. 269W, 1637J, 131749, 131750 and 131752 |
| | | Presser Foot complete (See Fittings Page Nos. 23 and 24) |
| | | Presser Foot Screw |
| | 176J | Pressure Regulating Thumb Screw |
| | 269W | Pressure Regulating Thumb Screw Lock Nut |
| | 1637J | Pressure Regulating Thumb Screw Washer |
| 131752 | 25551 | Tension (thread covering) Controller Eyelet |
| 168046 | 25556 | Tension (thread covering) Controller Eyelet Screw |
| 208AL | 25556 | Tension (thread covering) Disc (2) |
| 2102 | 25563 | Tension (thread covering) Regulating Thumb Nut |
| 51570C | 25563 | Tension (thread covering) Releasing Disc |
| 32572 | 25563 | Tension (thread covering) Releasing Pin |
| 54988 | 25563 | Tension (thread covering) Screw Stud |
| 50326C | 25563 | Tension (thread covering) Screw Stud 50326C with 51570C |
| 59539 | | Tension (thread covering) Spring |
| 131740 | 25563 | Tension (thread covering) Spring Bushing (large) |
| 59537 | 25563 | Tension (thread covering) Spring Bushing (small) |
| 59538 | 25563 | Tension (thread covering) Thread Guide (double) |
| 54279 | 25563 | Tension (thread covering) Thread Guide |
| 168047 | 25556 | Tension (thread covering) Thread Guide Screw |
| 335J | 25556 | Tension (under thread) Disc (4) |
| 2102 | 25563 | Tension (under thread) Regulating Thumb Nut (2) |
| 51570C | 25563 | Tension (under thread) Screw Stud (2) |
| 140113C | 25563 | Tension (under thread) Screw Stud 140113C with 51570C (2) |
| 131809 | | Tension (under thread) Spring (2) |
| 131740 | 25563 | Tension (under thread) Spring Bushing (large) (2) |
| 59537 | 25563 | Tension (under thread) Spring Bushing (small) (2) |
| 59538 | 25563 | Tension (under thread) Thread Guide (double) (2) |
| 131696 | 25563 | Tension (upper thread) Bracket |
| 54245 | 25563 | Tension (upper thread) Bracket Screw |
| 376J | 25563 | Tension (upper thread) Disc (6) |
| 2102 | 25563 | Tension (upper thread) Regulating Thumb Nut (3) |
| 51570C | 25563 | Tension (upper thread) Releasing Disc (3) |
| 32572 | 25563 | Tension (upper thread) Releasing Pin (3) |
| 54988 | 25563 | Tension (upper thread) Releasing Shaft |
| 54246 | 25563 | Tension (upper thread) Releasing Shaft Crank with 624AL |
| 54047 | 25563 | Tension (upper thread) Releasing Shaft Crank Link |
| 54048 | 25563 | Tension (upper thread) Releasing Shaft Crank Set Screw |
| 624AL | 25563 | Tension (upper thread) Releasing Shaft Spring |
| 68261 | 25563 | Tension (upper thread) Releasing Shaft Stop Screw |
| 316C | 25563 | Tension (upper thread) Releasing Shaft Stop Screw Nut |
| 1547J | 25563 | Tension (upper thread) Screw Stud (3) |
| 50326C | 25563 | Tension (upper thread) Screw Stud 50326C with 51570C (3) |
| 59539 | | Tension (upper thread) Spring (3) |
| 131741 | 25563 | Tension (upper thread) Spring Bushing (large) (3) |
| 59537 | 25563 | Tension (upper thread) Spring Bushing (small) (3) |
| 59538 | 25563 | Tension (upper thread) Thread Guide (double) (3) |
| 54279 | 25563 | Tension (upper thread) Thread Separator |
| 168144 | 25556 | Thread Carrying Finger |
| 168209 | 25556 | Thread Carrying Finger Clamping Screw |
| 50624E | 25556 | Thread Carrying Finger Holder (segment) with 50624E |
| 131811 | 25556 | Thread Carrying Finger Holder Bracket |
| 131812 | 25556 | Thread Carrying Finger Holder Bracket 131812 with 212J, 226C, 131811, 131813 and 131814 |
| 131868 | | Thread Carrying Finger Holder Bracket Screw (2) |
| 1057AL | 25556 | Thread Carrying Finger Holder Cap Screw |
| 212J | 25556 | Thread Carrying Finger Holder Slide Block |
| 131813 | 25556 | Thread Carrying Finger Holder Slide Block Cap Screw |
| 226C | 25556 | Thread Carrying Finger Holder Slide Block Crank with 171AL |
| 131814 | 25556 | Thread Carrying Finger Holder Slide Block Crank Clamping Screw |

| No. | Plate | Name |
|---------|-------|---|
| 131815 | 25556 | Thread Carrying Finger Oscillating Arm (forked) and Presser Bar Bushing (lower) |
| 131816 | 25556 | Thread Carrying Finger Oscillating Arm Slide Block |
| 147518 | | Thread Carrying Finger Oscillating Arm Slide Block 131816 with 131817 and 140645F |
| 140645F | 25556 | Thread Carrying Finger Oscillating Arm Slide Block Cap Screw |
| 131817 | 25556 | Thread Carrying Finger Oscillating Arm Slide Block Holder with 462AL |
| 131818 | 25556 | Thread Carrying Finger Oscillating Arm Slide Block Holder Driving Stud |
| 131819 | 25552 | Thread Carrying Finger Oscillating Arm Slide Block Holder Driving Stud Bushing |
| 50505C | 25552 | Thread Carrying Finger Oscillating Arm Slide Block Holder Driving Stud Bushing Set Screw |
| 462AL | 25556 | Thread Carrying Finger Oscillating Arm Slide Block Holder Set Screw |
| 131820 | 25556 | Thread Carrying Finger Oscillating Arm Slide Block Holder Shaft |
| 131028 | 25556 | Thread Carrying Finger Oscillating Arm Slide Block Holder Shaft Oil Screw Plug |
| 131821 | 25556 | Thread Laying Finger |
| 168048 | 25556 | Thread Laying Finger Holder with 1057AL and two 50370AL |
| 1057AL | 25556 | Thread Laying Finger Holder Clamping Screw |
| 50370AL | 25556 | Thread Laying Finger Set Screw (2) |
| 53225 | 25563 | Thread (under) Eyelet (back) |
| 190J | 25563 | Thread (under) Eyelet (back) Screw |
| 168101 | 25564 | Thread (under) Eyelet (front) |
| 140180J | 25564 | Thread (under) Eyelet (front) Screw |
| 7071 | 25564 | Thread (under) Eyelet (front) Screw Washer |
| 168051 | 25553 | Thread (under) Take-up with three 50150AL |
| 50150AL | 25553 | Thread (under) Take-up Set Screw (3) |
| 168052 | 25564 | Thread (under) Take-up Stripper |
| 168053 | 25564 | Thread (under) Take-up Stripper Bracket |
| 176J | 25564 | Thread (under) Take-up Stripper Bracket Screw (2) |
| 168102 | 25564 | Thread (under) Take-up Stripper Plate |
| 168103 | 25564 | Thread (under) Take-up Stripper Plate Bracket |
| 168104 | 25564 | Thread (under) Take-up Stripper Plate Bracket 168103 with 17022, 51323J, 168052, 168053, 168101, 168102, 168105, 168106 and three each 176J, 7071 and 140180J |
| 140407C | 25564 | Thread (under) Take-up Stripper Plate Bracket Screw |
| 176J | 25564 | Thread (under) Take-up Stripper Plate Screw |
| 51323J | 25564 | Thread (under) Take-up Stripper Screw |
| 17022 | 25564 | Thread (under) Take-up Stripper Screw Washer |
| 168105 | 25564 | Thread (under) Take-up Stripper Thread Guide |
| 140180J | 25564 | Thread (under) Take-up Stripper Thread Guide Screw |
| 7071 | 25564 | Thread (under) Take-up Stripper Thread Guide Screw Washer |
| 168106 | 25564 | Thread (under) Take-up Stripper Thread Separator |
| 140180J | 25564 | Thread (under) Take-up Stripper Thread Separator Screw |
| 7071 | 25564 | Thread (under) Take-up Stripper Thread Separator Screw Washer |
| 168061 | 25563 | Thread (upper) Eyelet |
| 190J | 25563 | Thread (upper) Eyelet Screw |
| 7071 | 25563 | Thread (upper) Eyelet Screw Washer |
| 168130 | 25556 | Thread (upper) Take-up with 223J |
| 223J | 25556 | Thread (upper) Take-up Clamping Screw |
| 168045 | 25563 | Thread (upper) Take-up (auxiliary) |
| 131496 | 25563 | Thread (upper) Take-up (auxiliary) Clamp |
| 997J | 25563 | Thread (upper) Take-up (auxiliary) Clamp Screw |
| | | Throat plate (See Fittings Page Nos. 23 and 24) |
| 742F | 25565 | Throat Plate (See Fittings Page Nos. 23 and 24) |

LIST OF PARTS COMPLETE

FOR

MACHINE No. 247-5

FOR SEAMING AND WELTING AUTO SEAT COVERS, UPHOLSTERY CUSHIONS, TROUSERS, COATS AND SIMILAR WORK. THREE NEEDLES, TWO LOOPERS. VERTICAL TRIMMER. DROP FEED. NEEDLE BAR STROKE 1-3/8". CLEARANCE UNDER PRESSER FOOT 7/32". GAUGES BETWEEN LEFT AND CENTER NEEDLES 1/16" TO 1/4", IN STEPS OF 1/16" AND BETWEEN CENTER AND RIGHT NEEDLES 1/8" TO 1/4" IN STEPS OF 1/16". MAXIMUM DISTANCE BETWEEN OUTSIDE NEEDLES 3/8". SPEED 2800, DEPENDING ON MATERIAL USED AND OPERATION PERFORMED.

| No. | Plate | Name |
|---------|-------|--|
| *168066 | | Arm, upper and lower (solid) with 948J, 68483 and four 131022 |
| 68428 | 25551 | Arm Bottom Cover |
| 68429 | 25551 | Arm Bottom Cover Gasket (cork) |
| 1057AL | 25551 | Arm Bottom Cover Screw (4) |
| 50608R | 25551 | Arm Hole Plug Screw, for access to Crank Connecting Rod (upper bearing) |
| 139017 | 25551 | Arm Hole Plug Screw Washer |
| 68350 | 25552 | Arm Oil Cup, for oiling Arm Rock Shaft Front Bearing |
| 131864 | 25554 | Arm Oil Cup, for 131866 |
| 131865 | 25554 | Arm Oil Cup Oil Gauge |
| 131866 | 25554 | Arm Oil Cup with Oil Gauge complete, for filling oil reservoir, Nos. 131864 and 131865 |
| 131319 | 25552 | Arm Oil Cup Oil Pad for 68350 |
| 168111 | 25552 | Arm Rock Shaft and Front Crank with 853AL, 1235F, 50505C and 131819 |
| 1309C | 25552 | Arm Rock Shaft Adjusting Screw |
| 131056 | 25552 | Arm Rock Shaft Adjusting Screw Washer |
| 68433 | 25552 | Arm Rock Shaft Bushing (back) |
| 68435 | 25552 | Arm Rock Shaft Bushing (back) Cap |
| 131095 | 25552 | Arm Rock Shaft Bushing (back) Cap Washer (fiber) |
| 446AL | 25552 | Arm Rock Shaft Bushing (back) Set Screw |
| 68436 | 25552 | Arm Rock Shaft Bushing (intermediate) |
| 423AL | 25552 | Arm Rock Shaft Bushing (intermediate) Set Screw |
| 131072 | 25554 | Arm Rock Shaft Crank, back (ball bearing, solid) with two 50083AL |
| 50083AL | 25554 | Arm Rock Shaft Crank (back) Set Screw (2) |
| 131456 | 25552 | Arm Rock Shaft Flanged Bushing (front) |
| 453AL | 25552 | Arm Rock Shaft Flanged Bushing (front) Set Screw |
| 42365 | 25552 | Arm Rock Shaft Oil Pad for oiling Back Bearing |
| 54969 | 25552 | Arm Rock Shaft Oil Pad for oiling Intermediate Bearing |
| 1235F | 25552 | Arm Rock Shaft Oil Plug Screw |
| 168146 | 25554 | Arm Rotary Shaft with 168215 |
| 168147 | | Arm Rotary Shaft 168146 with 131930 and 168010 |
| 131366 | 25554 | Arm Rotary Shaft Ball Bearing (back) (2) |

From the library of Diamond Needle Corp.

| No. | Plate | Name |
|--------|-------|---|
| 131478 | 25554 | Arm Rotary Shaft Ball Bearing (back) Case |
| 131479 | | Arm Rotary Shaft Ball Bearing (back) Case 131478 with 131369 and three 205C |
| 131526 | | Arm Rotary Shaft Ball Bearing (back) Case with Ball Bearings complete, Nos. 131479, 131480 and two 131366 |
| 131369 | 25554 | Arm Rotary Shaft Ball Bearing (back) Case Cap |
| 205C | 25554 | Arm Rotary Shaft Ball Bearing (back) Case Cap Screw (3)... |
| 131370 | 25554 | Arm Rotary Shaft Ball Bearing (back) Case Position Stud (3) |
| 429C | 25554 | Arm Rotary Shaft Ball Bearing (back) Case Set Screw |
| 131480 | 25554 | Arm Rotary Shaft Ball Bearing (back) Spacing Collar |
| 131366 | 25554 | Arm Rotary Shaft Ball Bearing (intermediate) |
| 131481 | 25554 | Arm Rotary Shaft Ball Bearing (intermediate) Case |
| 1304C | 25554 | Arm Rotary Shaft Ball Bearing (intermediate) Case Set Screw |
| 131482 | 25554 | Arm Rotary Shaft Ball Bearing (intermediate) Collar with two 457AL |
| 457AL | 25554 | Arm Rotary Shaft Ball Bearing (intermediate) Collar Set Screw (2) |
| 131959 | 25554 | Arm Rotary Shaft Bushing (front) |
| 68497 | 25554 | Arm Rotary Shaft Bushing (front) Bearing Oil Pad (wick) |
| 68483 | | Arm Rotary Shaft Bushing (front) Bracket with 761E |
| 948J | 25554 | Arm Rotary Shaft Bushing (front) Bracket Screw |
| 131028 | 25554 | Arm Rotary Shaft Bushing (front) Oil Plug |
| 761E | 25554 | Arm Rotary Shaft Bushing (front) Position Screw |
| 131457 | 25554 | Arm Rotary Shaft Bushing (intermediate) |
| 761E | 25554 | Arm Rotary Shaft Bushing (intermediate) Position Screw |
| 42367 | 25554 | Arm Rotary Shaft Bushing (intermediate) Oil Pad (lower) |
| 54218 | 25554 | Arm Rotary Shaft Bushing (intermediate) Oil Pad (upper) |
| 168215 | 25554 | Arm Rotary Shaft Oil Wick |
| 144D | 25554 | Arm Rotary Shaft Screw |
| 131276 | 25551 | Arm Side Cover (oil vent) |
| 131909 | 25551 | Arm Side Cover Cap |
| 131280 | 25551 | Arm Side Cover Cap Position Pin |
| 1289X | 25551 | Arm Side Cover Cap Screw |
| 131910 | 25551 | Arm Side Cover Cap Spring |
| 131911 | 25551 | Arm Side Cover (oil vent) complete, Nos. 1289X, 131276, 131280, 131909 and 131910 |
| 68448 | 25551 | Arm Side Cover Gasket |
| 1057AL | 25551 | Arm Side Cover Screw (4) |
| 168067 | 25555 | Chip Chute |
| 168068 | 25555 | Chip Chute Arm |
| 74C | 25555 | Chip Chute Arm Hinge Screw |
| 6465 | 25555 | Chip Chute Arm Hinge Screw Friction Washer |
| 671W | 25555 | Chip Chute Arm Lock Thumb Screw |
| 164E | 25555 | Chip Chute Screw (2) |
| 168300 | 25555 | Cloth Plate (sectional) with two 1011F |
| 1011F | 25555 | Cloth Plate Connecting Block Screw (2) |
| 168071 | 25555 | Cloth Plate Slide |
| 38419 | 25555 | Cloth Plate Slide Spring |
| 665J | 25555 | Cloth Plate Slide Spring Screw (2) |
| 168072 | 25555 | Cloth Plate Slide complete, Nos. 38419, 168071 and two 665J |
| 168301 | 25555 | Cloth Plate (sectional) complete, Nos. 168072 and 168300 |
| 1011F | 25555 | Cloth Plate Screw (left) (2) |
| 742F | 25555 | Cloth Plate Screw (right) |
| 131926 | 25554 | Crank Connecting Rod with two each 1057AL, 51715AL, 131927 and 131928 |

NOTE: When No. 131926 is required for repairs, Connecting Rod and Arm Rock Shaft Crank (back) fitted together will be furnished. All Agency orders for the part must state the Machine No. for which it is required, in order to obtain correct Needle Bar Stroke.

| No. | Plate | Name |
|---------|-------|--|
| 131930 | | Crank Connecting Rod 131926 with 131072 |
| 131927 | 25554 | Crank Connecting Rod Cap (lower) Screw Stud (2) |
| 51715AL | 25554 | Crank Connecting Rod Cap (lower) Screw Stud Nut (2) |
| 131928 | 25554 | Crank Connecting Rod Cap (lower) Screw Stud Nut Lock Washer (2) |
| 1057AL | 25554 | Crank Connecting Rod Cap (upper) Screw (2) |
| 131760 | 25557 | Face Plate (lower half) |
| 131761 | 25557 | Face Plate (lower half) Gasket (cork) |
| 330J | 25557 | Face Plate (lower half) Screw (2) |
| 131762 | 25557 | Face Plate (upper half) |
| 29234 | 25557 | Face Plate (upper half) Position Plate |
| 1053E | 25557 | Face Plate (upper half) Position Plate Screw |
| 50190W | 25557 | Face Plate (upper half) Thumb Screw |
| 168148 | 25559 | Feed Bar with 620AL |
| 131730 | 25559 | Feed Bar Feed Dog Seat (adjustable) with 460AL |
| 190J | 25559 | Feed Bar Feed Dog Seat Screw |
| 22436 | 25559 | Feed Bar Feed Dog Seat Screw Washer |
| 168149 | | Feed Bar and Feed Dog Leveling Device complete, Nos. 190J, 22436, 131730 and 168148 |
| 131197 | 25559 | Feed Bar Hinge Pin (eccentric) |
| 59343 | 25559 | Feed Bar Hinge Pin Collar with 735AL |
| 735AL | 25559 | Feed Bar Hinge Pin Collar Set Screw |
| 168076 | 25559 | Feed Bar Slide Block (two pieces) |
| 131500 | 25554 | Feed Connecting Rod with 1057AL, 68497, 134260 and two 896AL |
| 168010 | | Feed Connecting Rod 131500 with 168011 |
| 896AL | 25554 | Feed Connecting Rod Cap Screw (2) |
| 1057AL | 25554 | Feed Connecting Rod Clamping Screw |
| 68497 | 25554 | Feed Connecting Rod Oil Pad (wick) |
| 134260 | 25554 | Feed Connecting Rod Oil Pad Retainer |
| 140275J | 25568 | Feed Dog, (See Fittings Page Nos. 24 and 25) |
| 460AL | 25559 | Feed Dog Screw, for use with Movable Needle Guard |
| 51061AL | 25554 | Feed Dog Stop Screw |
| 7071 | 25554 | Feed Eccentric Body Set Screw (3) |
| 217J | 25554 | Feed Eccentric Clamping Washer (2) |
| 138306 | | Feed Eccentric Clamping Washer Screw (2) |
| 168011 | | Feed Eccentric Lubricating Pad (wood) |
| 168151 | 25554 | Feed Eccentric (adjustable) complete, Nos. 1103C, 138306, two each 217J, 7071 and three 51061AL |
| 624AL | 25554 | Feed Lifting Eccentric with three 624AL |
| 1103C | 25554 | Feed Lifting Eccentric Set Screw (3) |
| 131240 | 25559 | Feed Regulating Screw |
| 168152 | | Feed Rocking Frame with two 453AL |
| 57234 | 25559 | Feed Rocking Frame 131240 with 59343, 131197, 132583 and 168149 |
| 57235 | 25559 | Feed Rocking Frame Hinge Pin |
| 453AL | 25559 | Feed Rocking Frame Hinge Pin Bushing (2) |
| 453AL | 25559 | Feed Rocking Frame Hinge Pin Bushing Set Screw (2) |
| 168080 | 25560 | Feed Rocking Frame Hinge Pin Set Screw (2) |
| 1000C | 25560 | Knife (movable) |
| 168081 | 25560 | Knife (movable) Clamping Screw |
| 42038 | 25560 | Knife (movable) Holder with 1000C |
| 42039 | 25560 | Knife (movable) Holder Guide with 336F |
| 621E | 25560 | Knife (movable) Holder Guide Plate |
| 336F | 25560 | Knife (movable) Holder Guide Plate Screw (2) |
| 42041 | 25560 | Knife (movable) Holder Guide Screw |
| 168082 | 25560 | Knife (movable) Holder Spring |
| 168187 | | Knife (movable) Lever with 1178C and 20437 |
| 168083 | 25560 | Knife (movable) Lever 168082 with 1722J, 14017, 132583 and 168086 |
| 168084 | 25560 | Knife (movable) Lever Bearing Arm |
| 172E | 25560 | Knife (movable) Lever Bearing Arm Bracket |
| | | Knife (movable) Lever Bearing Arm Bracket Screw (2) |

From the library of: Dick and Needle Corp

| No. | Plate | Name |
|----------|-------|---|
| 54369 | 25560 | Knife (movable) Lever Bearing Arm Collar with two 465AL |
| 465AL | 25560 | Knife (movable) Lever Bearing Arm Collar Set Screw (2) |
| 1178C | 25560 | Knife (movable) Lever Clamping Screw |
| 20437 | 25560 | Knife (movable) Lever Clamping Screw Washer |
| 168085 | 25560 | Knife (movable) Lever Connecting Link |
| 132583 | 25560 | Knife (movable) Lever Connecting Link Hinge Pin with 132584 (2) |
| 132584 | 25560 | Knife (movable) Lever Connecting Link Hinge Pin Oil Pad (wick) (2) |
| 620AL | 25560 | Knife (movable) Lever Connecting Link Hinge Pin Set Screw (2) |
| 168086 | 25560 | Knife (movable) Lever Connection with 620AL |
| 1722J | 25560 | Knife (movable) Lever Connection Nut |
| 14017 | 25560 | Knife (movable) Lever Connection Nut Washer |
| 168087 | 25560 | Knife (movable) Lever Hinge Screw Stud |
| 1756J | 25560 | Knife (movable) Lever Hinge Screw Stud Nut |
| 168088 | 25560 | Knife (stationary) |
| 168089 | 25560 | Knife (stationary) Clamping Plate |
| 168090 | 25560 | Knife (stationary) Holder |
| 448AL | 25560 | Knife (stationary) Holder Set Screw |
| 1253AL | 25560 | Knife (stationary) Set Screw |
| 168195 | 25561 | Looper (back) |
| 168196 | 25561 | Looper (front) |
| 208AL | 25561 | Looper (front) Screw (2) |
| 168197 | 25561 | Loopers complete, Nos. 168195, 168196 and two 208AL |
| 168016 | 25561 | Looper Carrier |
| 168208 | | Looper Carrier 168016 with 132583, 168019, 168020, 168021 and 168023 |
| 168238 | | Looper Carrier 168208 with 168017 and 168205 |
| 168017 | 25561 | Looper Carrier Shaft with 1231E |
| 168018 | 25561 | Looper Carrier Shaft Crank with two 1057AL |
| 1057AL | 25561 | Looper Carrier Shaft Crank Clamping Screw (2) |
| 68497 | 25554 | Looper Carrier Shaft Oil Pad (wick) |
| 1231E | 25561 | Looper Carrier Shaft Plug Screw |
| 1497C | 25561 | Looper Carrier Shaft Set Screw |
| 168151 | 25554 | Looper (avoiding motion) Eccentric with three 624AL |
| 168019 | 25561 | Looper (avoiding motion) Eccentric Connection with 223C |
| 132583 | 25561 | Looper (avoiding motion) Eccentric Connection Hinge Pin with 132584 |
| 132584 | 25561 | Looper (avoiding motion) Eccentric Connection Hinge Pin Oil Wick |
| 223C | 25561 | Looper (avoiding motion) Eccentric Connection Hinge Pin Set Screw |
| 168020 | 25561 | Looper (avoiding motion) Eccentric Connection Holder |
| 168021 | 25561 | Looper (avoiding motion) Eccentric Connection Holder Screw Bushing |
| 168022 | 25561 | Looper (avoiding motion) Eccentric Connection Holder Screw Bushing Bearing |
| 448AL | 25561 | Looper (avoiding motion) Eccentric Connection Holder Screw Bushing Set Screw (2) |
| 168023 | 25561 | Looper (avoiding motion) Eccentric Connection Holder Thrust Bearing |
| 624AL | 25554 | Looper (avoiding motion) Eccentric Set Screw (3) |
| 168024 | 25561 | Looper (driving) Eccentric with three 1036AL |
| 168025 | 25561 | Looper (driving) Eccentric Connection with two each 175C and 140159AL |
| 168205 | | Looper (driving) Eccentric Connection 168025 with 50138E, 168018, 168024 and 168026 |
| 175C | 25561 | Looper (driving) Eccentric Connection Cap (lower) Screw (2) |
| 140159AL | 25561 | Looper (driving) Eccentric Connection Cap (upper) Screw (2) |
| 168026 | 25561 | Looper (driving) Eccentric Connection Position Plate |

| No. | Plate | Name |
|---------|-------|---|
| 50138E | 25561 | Looper (driving) Eccentric Connection Position Plate Screw |
| 1036AL | 25561 | Looper (driving) Eccentric Set Screw (3) |
| 131504 | 25561 | Looper Holder with 1120AL |
| 51119J | 25561 | Looper Holder Screw |
| 1120AL | 25561 | Looper Set Screw |
| 131914 | 25554 | Machine Driving Pulley, "V" belt groove (outside diam. of belt groove 2.9 in.) with two 51283AL, for 3/8 in. "V" belt |
| 51283AL | 25554 | Machine Driving Pulley Set Screw (2) |
| 131497 | 25557 | Needle Bar (hollow) |
| | | Needle Bar complete, (See Fittings Page Nos. 24 and 25) |
| 168210 | 25557 | Needle Bar Bushing (lower) |
| 1133E | 25557 | Needle Bar Bushing (lower) Set Screw |
| 64320 | 25557 | Needle Bar Bushing (upper) |
| 1133E | 25557 | Needle Bar Bushing (upper) Set Screw |
| 168030 | 25557 | Needle Bar Connecting Link |
| 168031 | | Needle Bar Connecting Link 168030 with 68489 and 131492 |
| 68489 | 25557 | Needle Bar Connecting Link Hinge Stud (hollow) |
| 1520J | 25557 | Needle Bar Connecting Link Hinge Stud Nut |
| 131270 | 25557 | Needle Bar Connecting Link Hinge Stud Oil Pad (wick) |
| 861C | 25557 | Needle Bar Connecting Link Hinge Stud Oil Plug Screw |
| 853AL | 25552 | Needle Bar Connecting Link Hinge Stud Set Screw |
| 131492 | 25557 | Needle Bar Connecting Stud with 1492E |
| 1492E | 25557 | Needle Bar Connecting Stud Clamping Screw |
| | | Needle Clamp (See Fittings Page Nos. 24 and 25) |
| | | Needle Guard (movable) (See Fittings Page Nos. 24 and 25) |
| 68123 | 25568 | Needle Guard (movable) Clamp |
| 904AL | 25557 | Needle Set Screw (back) (2) |
| 906AL | 25557 | Needle Set Screw (front) |
| 68492 | 25562 | Oil Pipe (back of arm) with 68497, for oiling Feed Rocking Frame Hinge Pin Front Bearing |
| 68493 | 25562 | Oil Pipe (back of arm) Clamp |
| 176E | 25562 | Oil Pipe (back of arm) Clamp Screw |
| 68494 | 25562 | Oil Pipe (back of arm) Connection with 68495 and two 198E, for oiling Feed Rocking Frame Hinge Pin Back Bearing |
| 198E | 25562 | Oil Pipe (back of arm) Connection Cap Screw (2) |
| 68495 | 25562 | Oil Pipe (back of arm) Connection Oil Pad (wick) |
| 68496 | 25562 | Oil Pipe (back of arm) Coupling |
| 1733 | 25562 | Oil Pipe (back of arm) Coupling Nut (brass) |
| 68497 | 25562 | Oil Pipe (back of arm) Oil Pad (wick) |
| 168036 | 25562 | Oil Pipe (front of arm, long) with two 1733 |
| 168037 | | Oil Pipe (front of arm, long) complete, Nos. 168036, 168038 and 168039 |
| 131004 | 25562 | Oil Pipe (front of arm, long) Coupling (left) |
| 131798 | 25562 | Oil Pipe (front of arm, long) Coupling (right) |
| 1733 | 25562 | Oil Pipe (front of arm, long) Coupling Nut (brass) (2) |
| 168038 | 25562 | Oil Pipe (front of arm, long) Oil Lead with 1733, and 131003, for oiling Arm Rotary Shaft Front Bearing |
| 168039 | 25562 | Oil Pipe (front of arm, long) Oil Lead with 68497 and 131003, for oiling Feed Connecting Rod |
| 131003 | 25562 | Oil Pipe (front of arm, long) Oil Lead Connection with two 198E, for 168038 and 168039 (2) |
| 131003 | 25562 | Oil Pipe (front of arm, long) Oil Connection with two 198E, for 168038 |
| 198E | 25562 | Oil Pipe (front of arm, long) Oil Lead Connection Cap Screw (4) |
| 131004 | 25562 | Oil Pipe (front of arm, long) Oil Lead Coupling |
| 1733 | 25562 | Oil Pipe (front of arm, long) Oil Lead Coupling Nut (brass) |
| 68497 | 25562 | Oil Pipe (front of arm, long) Oil Lead Oil Pad (wick) |
| 168040 | 25562 | Oil Pipe (front of arm, short) with 131089 and two 1733 |

From the library of Diamond Treble

| No. | Plate | Name |
|---------|-------|--|
| 131004 | 25562 | Oil Pipe (front of arm, short) Coupling (2)..... |
| 1733 | 25562 | Oil Pipe (front of arm, short) Coupling Nut (brass) (2)..... |
| 131089 | | Oil Pipe (front of arm, short) Oil Pad (wick)..... |
| 168097 | 25555 | Oil Splash Guard..... |
| 330J | 25555 | Oil Splash Guard Screw (2)..... |
| 168042 | 25555 | Oil Splash Guard (side of arm)..... |
| 54038 | 25555 | Oil Splash Guard (side of arm) Holder..... |
| 190J | 25555 | Oil Splash Guard (side of arm) Holder Screw..... |
| 217J | 25555 | Oil Splash Guard (side of arm) Screw..... |
| 131912 | 25557 | Presser Bar (hollow)..... |
| 38456 | 25557 | Presser Bar Bushing (upper)..... |
| 1133E | 25557 | Presser Bar Bushing (upper) Set Screw..... |
| 131799 | 25557 | Presser Bar Lifting Bracket with 453AL..... |
| 11173 | 25557 | Presser Bar Lifting Bracket Guide..... |
| 453AL | 25557 | Presser Bar Lifting Bracket Guide Set Screw..... |
| 453AL | 25557 | Presser Bar Lifting Bracket Set Screw..... |
| 131402 | 25563 | Presser Bar Lifting Lever..... |
| 168043 | 25563 | Presser Bar Lifting Lever Extension..... |
| 161J | 25563 | Presser Bar Lifting Lever Extension Screw (2)..... |
| 802X | 25563 | Presser Bar Lifting Lever Hinge Screw..... |
| 131749 | 25551 | Presser Bar Spring..... |
| 131750 | 25551 | Presser Bar Spring (auxiliary)..... |
| 38468 | 25551 | Presser Bar Spring Stud..... |
| 168044 | 25551 | Presser Bar Spring complete, Nos. 269W, 1637J, 131749, 131750 and 131752..... |
| | | Presser Foot (hinged) complete (See Fittings Page Nos. 24 and 25)..... |
| 176J | 25565 | Presser Foot Screw..... |
| 269W | 25551 | Pressure Regulating Thumb Screw..... |
| 1637J | 25551 | Pressure Regulating Thumb Screw Lock Nut..... |
| 131752 | 25551 | Pressure Regulating Thumb Screw Washer..... |
| 168046 | 25557 | Tension (thread covering) Controller Eyelet..... |
| 208AL | 25557 | Tension (thread covering) Controller Eyelet Screw..... |
| 2102 | 25563 | Tension (thread covering) Disc (2)..... |
| 51570C | 25563 | Tension (thread covering) Regulating Thumb Nut..... |
| 32572 | 25563 | Tension (thread covering) Releasing Disc..... |
| 54988 | 25563 | Tension (thread covering) Releasing Pin..... |
| 50326C | 25563 | Tension (thread covering) Screw Stud..... |
| 59539 | | Tension (thread covering) Screw Stud 50326C with 51570C..... |
| 131740 | 25563 | Tension (thread covering) Spring..... |
| 59537 | 25563 | Tension (thread covering) Spring Bushing (large)..... |
| 59538 | 25563 | Tension (thread covering) Spring Bushing (small)..... |
| 54279 | 25563 | Tension (thread covering) Thread Guide (double)..... |
| 168047 | 25557 | Tension (thread covering) Thread Guide..... |
| 335J | 25557 | Tension (thread covering) Thread Guide Screw..... |
| 2102 | 25563 | Tension (under thread) Disc (4)..... |
| 51570C | 25563 | Tension (under thread) Regulating Thumb Nut (2)..... |
| 140113C | 25563 | Tension (under thread) Screw Stud (2)..... |
| 131809 | | Tension (under thread) Screw Stud 140113C with 51570C (2)..... |
| 131740 | 25563 | Tension (under thread) Spring (2)..... |
| 59537 | 25563 | Tension (under thread) Spring Bushing (large) (2)..... |
| 59538 | 25563 | Tension (under thread) Spring Bushing (small) (2)..... |
| 131696 | 25563 | Tension (under thread) Thread Guide (double) (2)..... |
| 54245 | 25563 | Tension (upper thread) Bracket..... |
| 376J | 25563 | Tension (upper thread) Bracket Screw..... |
| 2102 | 25563 | Tension (upper thread) Disc (6)..... |
| 51570C | 25563 | Tension (upper thread) Regulating Thumb Nut (3)..... |
| 32572 | 25563 | Tension (upper thread) Releasing Disc (3)..... |
| 54988 | 25563 | Tension (upper thread) Releasing Pin (3)..... |
| 54246 | 25563 | Tension (upper thread) Releasing Shaft..... |
| 54047 | 25563 | Tension (upper thread) Releasing Shaft Crank with 624AL..... |
| 54048 | 25563 | Tension (upper thread) Releasing Shaft Crank Link..... |

| No. | Plate | Name |
|---------|-------|--|
| 624AL | 25563 | Tension (upper thread) Releasing Shaft Crank Set Screw..... |
| 68261 | 25563 | Tension (upper thread) Releasing Shaft Spring..... |
| 316C | 25563 | Tension (upper thread) Releasing Shaft Stop Screw..... |
| 1547J | 25563 | Tension (upper thread) Releasing Shaft Stop Screw Nut..... |
| 50326C | 25563 | Tension (upper thread) Screw Stud (3)..... |
| 59539 | | Tension (upper thread) Screw Stud 50326C with 51570C (3)..... |
| 131741 | 25563 | Tension (upper thread) Spring (3)..... |
| 59537 | 25563 | Tension (upper thread) Spring Bushing (large) (3)..... |
| 59538 | 25563 | Tension (upper thread) Spring Bushing (small) (3)..... |
| 54279 | 25563 | Tension (upper thread) Thread Guide (double) (3)..... |
| 168144 | 25563 | Tension (upper thread) Thread Separator..... |
| 168209 | 25557 | Thread Carrying Finger..... |
| 50624E | 25557 | Thread Carrying Finger Clamping Screw..... |
| 131811 | 25557 | Thread Carrying Finger Holder (segment) with 50624E..... |
| 131812 | 25557 | Thread Carrying Finger Holder Bracket..... |
| 131868 | | Thread Carrying Finger Holder Bracket 131812 with 212J, 226C, 131811, 131813 and 131814..... |
| 1057AL | 25557 | Thread Carrying Finger Holder Bracket Screw (2)..... |
| 212J | 25557 | Thread Carrying Finger Holder Cap Screw..... |
| 131813 | 25557 | Thread Carrying Finger Holder Slide Block..... |
| 226C | 25557 | Thread Carrying Finger Holder Slide Block Cap Screw..... |
| 131814 | 25557 | Thread Carrying Finger Holder Slide Block Crank with 171AL..... |
| 171AL | 25557 | Thread Carrying Finger Holder Slide Block Crank Clamping Screw..... |
| 131815 | 25557 | Thread Carrying Finger Oscillating Arm (forked) and Presser Bar Bushing (lower)..... |
| 131816 | 25557 | Thread Carrying Finger Oscillating Arm Slide Block..... |
| 147518 | | Thread Carrying Finger Oscillating Arm Slide Block 131816 with 131817 and 140645F..... |
| 140645F | 25557 | Thread Carrying Finger Oscillating Arm Slide Block Cap Screw..... |
| 131817 | 25557 | Thread Carrying Finger Oscillating Arm Slide Block Holder with 462AL..... |
| 131818 | 25557 | Thread Carrying Finger Oscillating Arm Slide Block Holder Driving Stud..... |
| 131819 | 25552 | Thread Carrying Finger Oscillating Arm Slide Block Holder Driving Stud Bushing..... |
| 50505C | 25552 | Thread Carrying Finger Oscillating Arm Slide Block Holder Driving Stud Bushing Set Screw..... |
| 462AL | 25557 | Thread Carrying Finger Oscillating Arm Slide Block Holder Set Screw..... |
| 131820 | 25557 | Thread Carrying Finger Oscillating Arm Slide Block Holder Shaft..... |
| 131028 | 25557 | Thread Carrying Finger Oscillating Arm Slide Block Holder Shaft Oil Screw Plug..... |
| 131821 | 25557 | Thread Laying Finger..... |
| 168048 | 25557 | Thread Laying Finger Holder with 1057AL and two 50370AL..... |
| 1057AL | 25557 | Thread Laying Finger Holder Clamping Screw..... |
| 50370AL | 25557 | Thread Laying Finger Set Screw (2)..... |
| 53225 | 25563 | Thread (under) Eyelet (back)..... |
| 190J | 25563 | Thread (under) Eyelet (back) Screw..... |
| 168101 | 25564 | Thread (under) Eyelet (front)..... |
| 140180J | 25564 | Thread (under) Eyelet (front) Screw..... |
| 7071 | 25564 | Thread (under) Eyelet (front) Screw Washer..... |
| 168051 | 25554 | Thread (under) Take-up with three 50150AL..... |
| 50150AL | 25554 | Thread (under) Take-up Set Screw (3)..... |
| 168052 | 25564 | Thread (under) Take-up Stripper..... |
| 168053 | 25564 | Thread (under) Take-up Stripper Bracket..... |
| 176J | 25564 | Thread (under) Take-up Stripper Bracket Screw (2)..... |
| 168102 | 25564 | Thread (under) Take-up Stripper Plate..... |

E-mail: Hebei@163.com; Tel: 0311-85108111

PARTS FOR MACHINE No. 247-5

| No. | Plate | Name |
|---------|-------|---|
| 168103 | 25564 | Thread (under) Take-up Stripper Plate Bracket..... |
| 168104 | 25564 | Thread (under) Take-up Stripper Plate Bracket 168103 with 17022, 51323J, 168052, 168053, 168101, 168102, 168105, 168106 and three each 176J, 7071 and 140180J..... |
| 140407C | 25564 | Thread (under) Take-up Stripper Plate Bracket Screw..... |
| 176J | 25564 | Thread (under) Take-up Stripper Plate Screw..... |
| 51323J | 25564 | Thread (under) Take-up Stripper Screw..... |
| 17022 | 25564 | Thread (under) Take-up Stripper Screw Washer..... |
| 168105 | 25564 | Thread (under) Take-up Stripper Thread Guide..... |
| 140180J | 25564 | Thread (under) Take-up Stripper Thread Guide Screw..... |
| 7071 | 25564 | Thread (under) Take-up Stripper Thread Guide Screw Washer..... |
| 168106 | 25564 | Thread (under) Take-up Stripper Thread Separator..... |
| 140180J | 25564 | Thread (under) Take-up Stripper Thread Separator Screw..... |
| 7071 | 25564 | Thread (under) Take-up Stripper Thread Separator Screw Washer..... |
| 168061 | 25563 | Thread (upper) Eyelet..... |
| 190J | 25563 | Thread (upper) Eyelet Screw..... |
| 7071 | 25563 | Thread (upper) Eyelet Screw Washer..... |
| 168130 | 25557 | Thread (upper) Take-up with 223J..... |
| 223J | 25557 | Thread (upper) Take-up Clamping Screw..... |
| 168045 | 25563 | Thread (upper) Take-up (auxiliary)..... |
| 131496 | 25563 | Thread (upper) Take-up (auxiliary) Clamp..... |
| 997J | 25563 | Thread (upper) Take-up (auxiliary) Clamp Screw..... |
| | | Throat Plate (See Fittings Page Nos. 24 and 25)..... |
| 742F | 25565 | Throat Plate Screw (2)..... |

SINGER Needles should be used
in **SINGER** Machines
These Needles and their Containers
are marked with the
Company's Trade Mark "SIMANCO.**" 1

Needles in Containers marked
"FOR SINGER MACHINES"
are NOT **SINGER** made needles. 2

FITTINGS FOR MACHINE No. 247-4

1/8 in.—1/16 in., 1/8 in.—1/8 in.
and 3/16 in.—1/16 in. gauges

| No. | Plate | Name |
|--------|-------|--|
| 168235 | 25565 | Feed (back) Dog, 12 teeth (16 teeth to the inch)..... |
| 168236 | 25565 | Feed (front) Dog, 12 teeth (16 teeth to the inch)..... |
| 131497 | 25565 | Needle Bar (hollow)..... |
| 168094 | 25565 | Needle Bar complete, Nos. 131497 and 168095..... |
| 168095 | 25565 | Needle Clamp with 906AL and two 904AL..... |
| 168239 | 25565 | Needle Guard (movable) for 1/8 in.—1/16 in. and 1/8 in. —1/8 in. gauges..... |
| 168293 | 25565 | Needle Guard (movable) for 3/16 in.—1/16 in. gauge..... |
| 904AL | 25565 | Needle Set Screw (back) (2)..... |
| 906AL | 25565 | Needle Set Screw (front)..... |
| 168248 | 25565 | Presser Foot Guard..... |
| 228J | 25565 | Presser Foot Guard Screw..... |
| 7298 | 25565 | Presser Foot Hinge Pin..... |
| 168249 | 25565 | Presser Foot Plate..... |
| 168099 | 25565 | Presser Foot Shank..... |
| 168250 | 25565 | Presser Foot (hinged) complete, Nos. 228J, 7298, 168099, 168248 and 168249..... |
| 168233 | 25565 | Throat Plate..... |
| 168234 | 25565 | Throat Plate 168233 with 168109 and two 706W..... |
| 168109 | 25565 | Throat Plate Thread Retainer..... |
| 706W | 25565 | Throat Plate Thread Retainer Screw (2)..... |

FITTINGS FOR MACHINE No. 247-4

1/8 in.—3/16 in., 1/8 in.—1/4 in., 3/16 in.—1/8 in.
and 3/16 in.—3/16 in. gauges

| | | |
|--------|-------|--|
| 168077 | 25566 | Feed (back) Dog, 10 teeth (16 teeth to the inch)..... |
| 168078 | 25566 | Feed (front) Dog, 12 teeth (16 teeth to the inch)..... |
| 131497 | 25566 | Needle Bar (hollow)..... |
| 168094 | 25566 | Needle Bar complete, Nos. 131497 and 168095..... |
| 168095 | 25566 | Needle Clamp with 906AL and two 904AL..... |
| 168294 | 25566 | Needle Guard (movable) for 1/8 in.—3/16 in. and 1/8 in. —1/4 in. gauges..... |
| 168293 | 25566 | Needle Guard (movable) for 3/16 in.—1/8 in. gauge..... |
| 168096 | 25566 | Needle Guard (movable) for 3/16 in.—3/16 in. gauge..... |
| 904AL | 25566 | Needle Set Screw (back) (2)..... |
| 906AL | 25566 | Needle Set Screw (front)..... |
| 168248 | 25566 | Presser Foot Guard..... |
| 228J | 25566 | Presser Foot Guard Screw..... |
| 7298 | 25566 | Presser Foot Hinge Pin..... |
| 168249 | 25566 | Presser Foot Plate..... |
| 168099 | 25566 | Presser Foot Shank..... |
| 168250 | 25566 | Presser Foot (hinged) complete, Nos. 228J, 7298, 168099, 168248 and 168249..... |
| 168107 | 25566 | Throat Plate..... |
| 168108 | 25566 | Throat Plate 168107 with 168109 and two 706W..... |
| 168109 | 25566 | Throat Plate Thread Retainer..... |
| 706W | 25566 | Throat Plate Thread Retainer Screw (2)..... |

Fitting Gauge: Diagonal Needle Bar

FITTINGS FOR MACHINE No. 247-4

1/4 in.—1/16 in. and 1/4 in.—1/8 in. gauges

| No. | Plate | Name |
|--------|-------|--|
| 168132 | 25567 | Feed (back) Dog, 12 teeth (16 teeth to the inch) |
| 168133 | 25567 | Feed (front) Dog, 12 teeth (16 teeth to the inch) |
| 131497 | 25567 | Needle Bar (hollow) |
| 168094 | 25567 | Needle Bar complete, Nos. 131497 and 168095 |
| 168095 | 25567 | Needle Clamp with 906AL and two 904AL |
| 168295 | 25567 | Needle Guard (movable) for 1/4 in.—1/16 in. gauge |
| 168096 | 25567 | Needle Guard (movable) for 1/4 in.—1/8 in. gauge |
| 904AL | 25567 | Needle Set Screw (back) (2) |
| 906AL | 25567 | Needle Set Screw (front) |
| 168248 | 25567 | Presser Foot Guard |
| 228J | 25567 | Presser Foot Guard Screw |
| 7298 | 25567 | Presser Foot Hinge Pin |
| 168249 | 25567 | Presser Foot Plate |
| 168099 | 25567 | Presser Foot Shank |
| 168250 | 25567 | Presser Foot (hinged) complete, Nos. 228J, 7298, 168099, 168248 and 168249 |
| 168134 | 25567 | Throat Plate |
| 168135 | 25567 | Throat Plate 168134 with 168109 and two 706W |
| 168109 | 25567 | Throat Plate Thread Retainer |
| 706W | 25567 | Throat Plate Thread Retainer Screw (2) |

FITTINGS FOR MACHINE No. 247-5

1/8 in.—1/16 in., 1/8 in.—1/8 in.
and 3/16 in.—1/16 in. gauges

| | | |
|--------|-------|--|
| 168252 | 25568 | Feed Dog, 25 teeth (16 teeth to the inch) |
| 131497 | 25568 | Needle Bar (hollow) |
| 168094 | 25568 | Needle Bar complete, Nos. 131497 and 168095 |
| 168095 | 25568 | Needle Clamp with 906AL and two 904AL |
| 168200 | 25568 | Needle Guard (movable) for 1/8 in.—1/16 in. and 1/8 in.—1/8 in. gauges |
| 168199 | 25568 | Needle Guard (movable) for 3/16 in.—1/16 in. gauge |
| 904AL | 25568 | Needle Set Screw (back) (2) |
| 906AL | 25568 | Needle Set Screw (front) |
| 168248 | 25568 | Presser Foot Guard |
| 228J | 25568 | Presser Foot Guard Screw |
| 7298 | 25568 | Presser Foot Hinge Pin |
| 168249 | 25568 | Presser Foot Plate |
| 168099 | 25568 | Presser Foot Shank |
| 168250 | 25568 | Presser Foot (hinged) complete, Nos. 228J, 7298, 168099, 168248 and 168249 |
| 168233 | 25568 | Throat Plate |
| 168234 | 25568 | Throat Plate 168233 with 168109 and two 706W |
| 168109 | 25568 | Throat Plate Thread Retainer |
| 706W | 25568 | Throat Plate Thread Retainer Screw (2) |

FITTINGS FOR MACHINE No. 247-5

1/8 in.—3/16 in., 1/8 in.—1/4 in., 3/16 in.—1/8 in.
and 3/16 in.—3/16 in. gauges

| No. | Plate | Name |
|--------|-------|--|
| 168162 | 25569 | Feed Dog, 25 teeth (16 teeth to the inch) |
| 168150 | 25569 | Feed Dog, 16 teeth (10 teeth to the inch) |
| 131497 | 25569 | Needle Bar (hollow) |
| 168094 | 25569 | Needle Bar complete, Nos. 131497 and 168095 |
| 168095 | 25569 | Needle Clamp with 906AL and two 904AL |
| 168153 | 25569 | Needle Guard (movable) |
| 904AL | 25569 | Needle Set Screw (back) (2) |
| 906AL | 25569 | Needle Set Screw (front) |
| 168248 | 25569 | Presser Foot Guard |
| 228J | 25569 | Presser Foot Guard Screw |
| 7298 | 25569 | Presser Foot Hinge Pin |
| 168249 | 25569 | Presser Foot Plate |
| 168099 | 25569 | Presser Foot Shank |
| 168250 | 25569 | Presser Foot (hinged) complete, Nos. 228J, 7298, 168099, 168248 and 168249 |
| 168107 | 25569 | Throat Plate |
| 168108 | 25569 | Throat Plate 168107 with 168109 and two 706W |
| 168109 | 25569 | Throat Plate Thread Retainer |
| 706W | 25569 | Throat Plate Thread Retainer Screw (2) |

FITTINGS FOR MACHINE No. 247-5

1/4 in.—1/16 in. and 1/4 in.—1/8 in. gauges

| | | |
|--------|-------|--|
| 168253 | 25570 | Feed Dog, 26 teeth (16 teeth to the inch) |
| 131497 | 25570 | Needle Bar (hollow) |
| 168094 | 25570 | Needle Bar complete, Nos. 131497 and 168095 |
| 168095 | 25570 | Needle Clamp with 906AL and two 904AL |
| 168153 | 25570 | Needle Guard (movable) |
| 904AL | 25570 | Needle Set Screw (back) (2) |
| 906AL | 25570 | Needle Set Screw (front) |
| 168248 | 25570 | Presser Foot Guard |
| 228J | 25570 | Presser Foot Guard Screw |
| 7298 | 25570 | Presser Foot Hinge Pin |
| 168249 | 25570 | Presser Foot Plate |
| 168099 | 25570 | Presser Foot Shank |
| 168250 | 25570 | Presser Foot (hinged) complete, Nos. 228J, 7298, 168099, 168248 and 168249 |
| 168134 | 25570 | Throat Plate |
| 168135 | 25570 | Throat Plate 168134 with 168109 and two 706W |
| 168109 | 25570 | Throat Plate Thread Retainer |
| 706W | 25570 | Throat Plate Thread Retainer Screw (2) |

From the library of: Harlow Needle Corp

ACCESSORIES

| | Name | No. | Plate |
|--------|---|--------|-------|
| 120344 | 25571 Oiler (copper plated) with 120345 | 120345 | |
| 120345 | 25571 Oiler Spout, 4 1/2 in. long | | |
| 120440 | 25571 Screw Driver (large) | | |
| 121108 | 25571 Screw Driver (small) | | |
| 120341 | 25571 Tweezers (curved) | | |
| 17905 | 25571 Wrench | | |
| 8908 | 25571 Wrench | | |
| 42089 | 25571 Wrench | | |
| 23535 | 25571 Wrench | | |

CHIP CHUTES

| | | | |
|--------|--|--|--|
| 168198 | 25572 Chip Chute (under table) with four wood screws 3/8 in. No. 6 R.H.B., for semi-submerged mounting | | |
| 168211 | 25572 Chip Chute with two 330R, for fully-submerged mounting | | |
| 330R | 25572 Chip Chute Screw (2) | | |

BELT GUARD

| | | | |
|--------|---|--|--|
| 168063 | 25573 Belt Guard with two wood screws 3/4 in. No. 12 R.H. | | |
|--------|---|--|--|

BENCH STAND

(For Semi-Submerged Mounting)

| | | | |
|--------|---|--|--|
| 135320 | Bench Stand with 27998, two 126849 and ten wood screws 2 in. No. 10 | | |
| 126849 | 25571 Flap Hinge with four wood screws 3/4 in. No. 7 (2) | | |
| 27998 | 25571 Flap Hook and Eye (brass) with wood screw 1/2 in. No. 5 | | |

FOOT LIFTER PARTS

(For Gathering Feed Machine (247-4) Two Each of the Following Parts Are Required)

| No. | Plate | Name |
|--|-------|---|
| 6439 | | Chain, 36 in. to 45 in., with 56864 and 56865 |
| NOTE: When ordering No. 6439, state length required. | | |
| 4879 | 25573 | Chain Connecting Link |
| 56864 | 25571 | Chain Hook (large) |
| 56865 | 25571 | Chain Hook (small) |
| 126249 | 25573 | Treadle |
| 4882 | 25573 | Treadle Shaft |
| 126250 | 25573 | Treadle Spring |
| 150451 | 25573 | Treadle Stand |
| 150452 | 25573 | Treadle complete, Nos. 4879, 4882, 126249, 126250, 150451 and two wood screws 1 in. No. 16 F.H. |

KNEE LIFTER PARTS

| | | |
|---------|-------|--|
| 37563 | | Chain, length 15 in., with 56864 and 56865 |
| 56864 | 25571 | Chain Hook (large) |
| 56865 | 25571 | Chain Hook (small) |
| 2763 | 25573 | Rock Shaft |
| 12242 | 25573 | Rock Shaft Hanger with two wood screws 1 in. No. 10 (2) |
| 6335 | 25573 | Rock Shaft Knee Arm |
| 6336 | | Rock Shaft Knee Arm complete, Nos. 2766, 2767 and 6335 |
| 2766 | 25573 | Rock Shaft Knee Arm Hub with 356C |
| 356C | 25573 | Rock Shaft Knee Arm Hub Set Screw |
| 2767 | 25573 | Rock Shaft Knee Plate with 356C |
| 356C | 25573 | Rock Shaft Knee Plate Set Screw |
| 6337 | 25573 | Rock Shaft Lifting Bracket with two 356C |
| 7125 | 25573 | Rock Shaft Lifting Bracket Hook |
| 356C | 25573 | Rock Shaft Lifting Bracket Hook Set Screw |
| 356C | 25573 | Rock Shaft Lifting Bracket Set Screw |
| 2770 | 25573 | Rock Shaft Stop Dog with 140219C |
| 140219C | 25573 | Rock Shaft Stop Dog Set Screw |
| 23767 | 25573 | Rock Shaft complete, Nos. 2763, 2770, 6336, 6337, 7125 and two 12242 |

From the library of: Diamond Needle Corp

MACHINE BASE

| | | |
|--------|-------|--|
| 131263 | 24409 | Machine Base |
| 54477 | 24409 | Machine Base Screw Stud, to fasten base to table (3) |
| 131205 | 24409 | Machine Base Screw Stud, to position machine on base (4) |
| 51576E | 24409 | Machine Base Screw Stud Nut (3) |
| 9842 | 24409 | Machine Base Screw Stud Nut Washer (3) |
| 131022 | 24409 | Machine Base Screw Stud Bushing (rubber) (4) |
| 131279 | 24409 | Machine Cushion (felt) (4) |
| 131264 | 24409 | Machine Base complete, Nos. 131263, three each 9842, 51576E, 54477 and four each 131205 and 131279 |
| 131328 | 24409 | Machine Base and Oil Drain Jar (swinging type) complete, Nos. 131264 and 131268 |

MACHINE BASE OIL DRAIN JAR

(Swinging Type)

| No. | Plate | Name |
|--------|-------|--|
| 131961 | 24409 | Jar (glass) 2 1/8 in. diam. at mouth |
| 131962 | 24409 | Jar Cap (diam. of recess for jar 2 7/16 in.) |
| 131188 | 24409 | Jar Clamp |
| 131217 | | Jar Clamp 131188 with 131189 |
| 131189 | 24409 | Jar Clamp Lever |
| 1247C | 24409 | Jar Clamp Lever Hinge Screw (2) |
| 131265 | 24409 | Nipple (long) (2) |
| 131266 | 24409 | Nipple (short) |
| 131267 | 24409 | Nipple Elbow (2) |
| 131268 | 24409 | Machine Base Oil Drain Jar (swinging type) complete, Nos. 131217, 131266, 131961, 131962 and two each 1247C, 131265 and 131267 |

THREAD UNWINDER

(For Six Spools)

| | | |
|---------|-------|---|
| 151032 | 25574 | Base with 138R and three wood screws 1 in. No. 12 F.H. |
| 225257 | 25574 | Spool Rest with 201018C and two each 201528X, 228692 and 228693 (3) |
| 228692 | 25574 | Spool Pin (6) |
| 201528X | | Spool Pin Nut (6) |
| 228693 | | Spool Pin Washer (6) |
| 151039 | 25574 | Spool Rest Bracket |
| 151034 | 25574 | Spool Rest Bracket Rod |
| 138R | 25574 | Spool Rest Bracket Rod Set Screw |
| 150203 | 25574 | Spool Rest Cushion (felt) (6) |
| 1395R | 25574 | Spool Rest Screw (for center spool rest) |
| 201018C | | Spool Rest Set Screw (3) |
| 151035 | 25574 | Thread Guide (6) |
| 1521R | | Thread Guide Nut (12) |
| 9525 | | Thread Guide Nut Washer (12) |
| 151038 | 25574 | Thread Unwinder complete, Nos. 1395R, 151032, 151034, 151039, three 225257, six each 150203, 151035 and twelve each 1521R and 9525R |

SINGER Needles should be used
in **SINGER** Machines
These Needles and their Containers
are marked with the
Company's Trade Mark "SIMANCO.**" 1

Needles in Containers marked
"FOR SINGER MACHINES"
are NOT **SINGER** made needles. 2

NUMERICAL LIST OF PARTS

| No. | Plate | Name |
|-------|-------|--|
| 61C | 25558 | Gathering Feed Regulator Connection Hinge Screw (front) for 168304 |
| 74C | 25555 | Chip Chute Arm Hinge Screw |
| 138R | 25574 | Thread Unwinder Spool Rest Bracket Rod Set Screw for 151032 |
| 144D | 25553 | Arm Rotary Shaft Screw |
| 157J | 25565 | Feed (back) Dog Screw for 247-4 Machine |
| 161J | 25563 | Presser Bar Lifting Lever Extension Screw (2) |
| 164E | 25555 | Chip Chute Screw (2) |
| 170C | 25558 | Gathering Feed Actuating Lever Spring Screw Stud (lower) for 247-4 Machine |
| 171AL | 25556 | Thread Carrying Finger Holder Slide Block Crank Clamping Screw for 131814 |
| 172J | 25558 | Gathering Feed Actuating Lever Bracket Screw for 247-4 Machine (2) |
| 172E | 25560 | Knife (movable) Lever Bearing Arm Bracket Screw (2) |
| 175C | 25558 | Gathering Feed Actuating Lever Stop Screw (upper) for 131777 |
| 175C | 25561 | Looper (driving) Eccentric Connection Cap (lower) Screw for 168025 (2) |
| 176E | 25562 | Oil Pipe (back of arm) Clamp Screw |
| 176J | 25565 | Presser Foot Screw |
| 176J | 25564 | Thread (under) Take-up Stripper Bracket Screw for 168104 (2) |
| 176J | 25564 | Thread (under) Take-up Stripper Plate Screw for 168104 |
| 190J | 25559 | Feed Bar Feed Dog Seat Screw for 168149 |
| 190J | 25565 | Feed (front) Dog Screw for 247-4 Machine |
| 190J | 25555 | Oil Splash Guard (side of arm) Holder Screw |
| 190J | 25563 | Thread (under) Eyelet (back) Screw |
| 190J | 25563 | Thread (upper) Eyelet Screw |
| 198E | 25562 | Oil Pipe (back of arm) Connection Cap Screw for 68494 (2) |
| 198E | 25562 | Oil Pipe (front of arm, long) Oil Lead Connection Cap Screw for 131003 (4) |
| 205C | 25553 | Arm Rotary Shaft Ball Bearing (back) Case Cap Screw for 131479 (3) |
| 208AL | 25561 | Looper (front) Screw for 168197 (2) |
| 208AL | 25556 | Tension (thread covering) Controller Eyelet Screw |
| 212J | 25556 | Thread Carrying Finger Holder Cap Screw for 131868 |
| 217J | 25553 | Feed Eccentric Clamping Washer Screw for 168011 (2) |
| 217J | 25555 | Oil Splash Guard (side of arm) Screw |
| 223C | 25561 | Looper (avoiding motion) Eccentric Connection Hinge Pin Set Screw for 168019 |
| 223J | 25556 | Thread (upper) Take-up Clamping Screw for 168130 |
| 226C | 25556 | Thread Carrying Finger Holder Slide Block Cap Screw for 131868 |
| 228J | 25565 | Presser Foot Guard Screw for 168250 |
| 269W | 25551 | Pressure Regulating Thumb Screw for 168044 |
| 316C | 25563 | Tension (upper thread) Releasing Shaft Stop Screw |
| 330J | 25556 | Face Plate (lower half) Screw (2) |
| 330J | 25555 | Oil Splash Guard Screw (2) |
| 330R | 25572 | Chip Chute Screw for 168211 (2) |
| 335J | 25556 | Tension (thread covering) Thread Guide Screw |
| 336F | 25560 | Knife (movable) Holder Guide Screw for 42038 |
| 356C | 25573 | Knee Lifter Rock Shaft Knee Arm Hub Set Screw for 2766 |
| 356C | 25573 | Knee Lifter Rock Shaft Knee Plate Set Screw for 2767 |
| 356C | 25573 | Knee Lifter Rock Shaft Lifting Bracket Hook Set Screw for 6337 |
| 356C | 25573 | Knee Lifter Rock Shaft Lifting Bracket Set Screw for 6337 |
| 359C | 25558 | Gathering Feed Actuating Lever Locking Screw for 131867 |
| 376J | 25563 | Tension (upper thread) Bracket Screw |
| 423AL | 25552 | Arm Rock Shaft Bushing (intermediate) Set Screw |

| No. | Plate | Name |
|--------|-------|--|
| 429C | 25553 | Arm Rotary Shaft Ball Bearing (back) Case Set Screw |
| 446AL | 25552 | Arm Rock Shaft Bushing (back) Set Screw |
| 448AL | 25560 | Knife (stationary) Holder Set Screw |
| 448AL | 25561 | Looper (avoiding motion) Eccentric Connection Holder Screw Bushing Set Screw (2) |
| 453AL | 25552 | Arm Rock Shaft Flanged Bushing (front) Set Screw |
| 453AL | 25558 | Feed Rocking Frame Hinge Pin Bushing Set Screw (2) |
| 453AL | 25559 | Feed Rocking Frame Hinge Pin Set Screw for 131240 (2) |
| 453AL | 25556 | Presser Bar Lifting Bracket Guide Set Screw |
| 453AL | 25556 | Presser Bar Lifting Bracket Set Screw for 131799 |
| 457AL | 25553 | Arm Rotary Shaft Ball Bearing (intermediate) Collar Set Screw for 131482 (2) |
| 460AL | 25559 | Feed Dog Stop Screw for 131730 |
| 462AL | 25556 | Thread Carrying Finger Oscillating Arm Slide Block Holder Set Screw for 131817 |
| 465AL | 25560 | Knife (movable) Lever Bearing Arm Collar Set Screw for 54369 (2) |
| 620AL | 25560 | Knife (movable) Lever Connecting Link Hinge Pin Set Screw for 168074, 168086, and 168148 |
| 621E | 25560 | Knife (movable) Holder Guide Plate Screw (2) |
| 624AL | 25553 | Feed Lifting Eccentric Set Screw for 168012 and 168151 (3) |
| 624AL | 25553 | Looper (avoiding motion) Eccentric Set Screw for 168012 and 168151 (3) |
| 624AL | 25563 | Tension (upper thread) Releasing Shaft Crank Set Screw for 54047 |
| 665J | 25555 | Cloth Plate Slide Spring Screw for 168072 (2) |
| 671W | 25555 | Chip Chute Arm Lock Thumb Screw |
| 704E | 25558 | Feed (front) Bar Guide Screw for 168304 |
| 706W | 25565 | Throat Plate Thread Retainer Screw for 168108, 168135 and 168234 (2) |
| 735AL | 25559 | Feed Bar Hinge Pin Collar Set Screw for 59343 |
| 735AL | 25558 | Feed Connecting Rod Hinge Pin Collar Set Screw for 59343 |
| 742F | 25555 | Cloth Plate Screw (right) |
| 742F | 25565 | Throat Plate Screw (2) |
| 761E | 25553 | Arm Rotary Shaft Bushing (front) Position Screw for 68483 |
| 761E | 25553 | Arm Rotary Shaft Bushing (intermediate) Position Screw |
| 802X | 25563 | Presser Bar Lifting Lever Hinge Screw |
| 853AL | 25552 | Needle Bar Connecting Link Hinge Stud Set Screw for 168111 |
| 861C | 25556 | Needle Bar Connecting Link Hinge Stud Oil Plug Screw |
| 889AL | 25558 | Feed (back) Bar Hinge Pin Set Screw for 247-4 Machine |
| 896AL | 25553 | Feed Connecting Rod Cap Screw for 131500 (2) |
| 904Ai | 25556 | Needle Set Screw (back) for 168095 (2) |
| 906AL | 25556 | Needle Set Screw (front) for 168095 |
| 910AL | 25558 | Gathering Feed Actuating Lever Stop Screw (lower) for 131777 |
| 948J | 25553 | Arm Rotary Shaft Bushing (front) Bracket Screw for 168066 |
| 997I | 25563 | Thread (upper) Take-up (auxiliary) Clamp Screw |
| 1000C | 25560 | Knife (movable) Clamping Screw for 168081 |
| 1011F | 25555 | Cloth Plate Connecting Block Screw for 168300 (2) |
| 1011F | 25555 | Cloth Plate Screw (left) (2) |
| 1036AL | 25558 | Feed Rocking Frame Hinge Pin Set Screw for 131773 (2) |
| 1036AL | 25561 | Looper (driving) Eccentric Set Screw for 168024 (3) |
| 1053E | 25556 | Face Plate (upper half) Position Plate Screw |
| 1057AL | 25551 | Arm Bottom Cover Screw (4) |
| 1057AL | 25551 | Arm Side Cover Screw (4) |
| 1057AL | 25553 | Crank Connecting Rod Cap (upper) Screw for 131926 (2) |
| 1057AL | 25553 | Feed Connecting Rod Clamping Screw for 131500 |
| 1057AL | 25558 | Gathering Feed Regulator Clamping Screw for 131779 (2) |
| 1057AL | 25561 | Looper Carrier Shaft Crank Clamping Screw for 168018 (2) |

| No. | Plate | Name |
|--------|-------|---|
| 1057AL | 25556 | Thread Carrying Finger Holder Bracket Screw (2) |
| 1057AL | 25556 | Thread Laying Finger Holder Clamping Screw for 168048 |
| 1103C | 25553 | Feed Regulating Screw for 168011 |
| 1120AL | 25561 | Looper Set Screw for 131504 |
| 1133E | 25556 | Needle Bar Bushing (lower) Set Screw |
| 1133E | 25556 | Needle Bar Bushing (upper) Set Screw |
| 1133E | 25556 | Presser Bar Bushing (upper) Set Screw |
| 1147AL | 25558 | Feed (front) Bar Slide Bar Set Screw for 168074 |
| 1178C | 25560 | Knife (movable) Lever Clamping Screw for 168082 |
| 1226C | 25558 | Gathering Feed Actuating Lever Spring Screw Stud (upper) for 131867 |
| 1231E | 25561 | Looper Carrier Shaft Plug Screw for 168017 |
| 1235F | 25552 | Arm Rock Shaft Oil Plug Screw for 168111 |
| 1247C | 24409 | Machine Base Oil Drain Jar Clamp Lever Hinge Screw for 131268 (2) |
| 1253AL | 25560 | Knife (stationary) Set Screw |
| 1289X | 25551 | Arm Side Cover Cap Screw for 131911 |
| 1304C | 25553 | Arm Rotary Shaft Ball Bearing (intermediate) Case Set Screw |
| 1309C | 25552 | Arm Rock Shaft Adjusting Screw |
| 1395R | 25574 | Thread Unwinder Spool Rest Screw (for center spool rest) for 151038 |
| 1492E | 25556 | Needle Bar Connecting Stud Clamping Screw for 131492 |
| 1497C | 25561 | Looper Carrier Shaft Set Screw |
| 1520J | 25558 | Gathering Feed Actuating Lever Hinge Screw Nut for 131867 |
| 1520J | 25556 | Needle Bar Connecting Link Hinge Stud Nut |
| 1521R | 25563 | Thread Unwinder Thread Guide Nut for 151038 (12) |
| 1547J | 25563 | Tension (upper thread) Releasing Shaft Stop Screw Nut |
| 1637J | 25551 | Pressure Regulating Thumb Screw Lock Nut for 168044 |
| 1654C | 25558 | Gathering Feed Actuating Lever Locking Screw Lock Nut for 131867 |
| 1654C | 25558 | Gathering Feed Actuating Lever Locking Screw Nut for 131867 |
| 1655E | 25558 | Gathering Feed Regulator Connection Hinge Screw (front) Nut for 168304 |
| 1722J | 25560 | Knife (movable) Lever Connection Nut for 168187 |
| 1733 | 25562 | Oil Pipe (back of arm) Coupling Nut (brass) |
| 1733 | 25562 | Oil Pipe (front of arm, long) Coupling Nut (brass) for 168036 (2) |
| 1733 | 25562 | Oil Pipe (front of arm, long) Oil Lead Coupling Nut (brass) |
| 1733 | 25562 | Oil Pipe (front of arm, short) Coupling Nut (brass) for 168040 (2) |
| 1735C | 25558 | Gathering Feed Actuating Lever Stop Screw (lower) Nut for 131777 |
| 1735C | 25558 | Gathering Feed Actuating Lever Stop Screw (upper) Nut for 131777 |
| 1756J | 25560 | Knife (movable) Lever Hinge Screw Stud Nut |
| 2102 | 25563 | Tension (thread covering) Disc (2) |
| 2102 | 25563 | Tension (under thread) Disc (4) |
| 2102 | 25563 | Tension (upper thread) Disc (6) |
| 2763 | 25573 | Knee Lifter Rock Shaft for 23767 |
| 2766 | 25573 | Knee Lifter Rock Shaft Knee Arm Hub with 356C, for 6336 |
| 2767 | 25573 | Knee Lifter Rock Shaft Knee Plate with 356C, for 6336 |
| 2770 | 25573 | Knee Lifter Rock Shaft Stop Dog with 140219C, for 23767 |
| 4879 | 25573 | Chain Connecting Link for 150452 |
| 4882 | 25573 | Treadle Shaft for 150452 |
| 6335 | 25573 | Knee Lifter Rock Shaft Knee Arm for 6336 |
| 6336 | 25573 | Knee Lifter Rock Shaft Knee Arm complete, for 23767, Nos. 2766, 2767 and 6335 |
| 6337 | 25573 | Knee Lifter Rock Shaft Lifting Bracket with two 356C, for 23767 |
| 6439 | 25573 | Chain, 36 in. to 45 in. with 56864 and 56865 |

NOTE: When ordering No. 6439, state length required.

| No. | Plate | Name |
|---------|-------|--|
| 6465 | 25555 | Chip Chute Arm Hinge Screw Friction Washer..... |
| 7071 | 25553 | Feed Eccentric Clamping Washer for 168011 (2)..... |
| 7071 | 25565 | Needle Guard (movable) Screw Washer for 247-4 Machine..... |
| 7071 | 25564 | Thread (under) Eyelet (front) Screw Washer for 168104..... |
| 7071 | 25564 | Thread (under) Take-up Stripper Thread Guide Screw Washer for 168104..... |
| 7071 | 25564 | Thread (under) Take-up Stripper Thread Separator Screw Washer for 168104..... |
| 7071 | 25563 | Thread (upper) Eyelet Screw Washer..... |
| 7125 | 25573 | Knee Lifter Rock Shaft Lifting Bracket Hook for 23767..... |
| 7298 | 25565 | Presser Foot Hinge Pin for 168250..... |
| 8908 | 25571 | Wrench (Accessories)..... |
| 9525 | 25558 | Gathering Feed Actuating Lever Locking Screw Washer for 131867..... |
| 9525 | | Thread Unwinder Thread Guide Nut Washer for 151038 (12)..... |
| 9842 | 24409 | Machine Base Screw Stud Nut Washer for 131264 (3)..... |
| 11173 | 25556 | Presser Bar Lifting Bracket Guide..... |
| 12242 | 25573 | Knee Lifter Rock Shaft Hanger with two wood screws 1 in. No. 10 for 23767 (2)..... |
| 14017 | 25560 | Knife (movable) Lever Connection Nut Washer for 168187..... |
| 17022 | 25564 | Thread (under) Take-up Stripper Screw Washer for 168104..... |
| 17905 | 25571 | Wrench (Accessories)..... |
| 20437 | 25560 | Knife (movable) Lever Clamping Screw Washer for 168082..... |
| 22436 | 25559 | Feed Bar Feed Dog Seat Screw Washer for 168149..... |
| 23535 | 25571 | Wrench (Accessories)..... |
| 23767 | 25573 | Knee Lifter Rock Shaft complete, Nos. 2763, 2770, 6336, 6337, 7125 and two 12242..... |
| 27998 | 25571 | Bench Stand Flap Hook and Eye (brass) with wood screws 1/2 in. No. 5 for 135320..... |
| 29234 | 25556 | Face Plate (upper half) Position Plate..... |
| 32572 | 25563 | Tension (thread covering) Releasing Disc..... |
| 32572 | 25563 | Tension (upper thread) Releasing Disc (3)..... |
| 37563 | | Knee Lifter Chain, length 15 in. with 56864 and 56865..... |
| 38419 | 25555 | Cloth Plate Slide Spring for 168072..... |
| 38456 | 25556 | Presser Bar Bushing (upper)..... |
| 38468 | 25551 | Presser Bar Spring Stud..... |
| 42038 | 25560 | Knife (movable) Holder Guide with 336F..... |
| 42039 | 25560 | Knife (movable) Holder Guide Plate..... |
| 42041 | 25560 | Knife (movable) Holder Spring..... |
| 42089 | 25571 | Wrench (Accessories)..... |
| 42365 | 25552 | Arm Rock Shaft Oil Pad for oiling Back Bearing..... |
| 42367 | 25553 | Arm Rotary Shaft Bushing (intermediate) Oil Pad (lower)..... |
| 50083AL | 25553 | Arm Rock Shaft Crank (back) Set Screw for 131072 (2)..... |
| 50138E | 25561 | Looper (driving) Eccentric Connection Position Plate Screw for 168205..... |
| 50150AL | 25553 | Thread (under) Take-up Set Screw for 168051 (3)..... |
| 50183F | 25558 | Gathering Feed Actuating Lever Hinge Screw for 131867..... |
| 50190W | 25556 | Face Plate (upper half) Thumb Screw..... |
| 50326C | 25563 | Tension (thread covering) Screw Stud for 59539..... |
| 50326C | 25563 | Tension (upper thread) Screw Stud for 59539 (3)..... |
| 50370AL | 25556 | Thread Laying Finger Set Screw for 168048 (2)..... |
| 50429AL | 25558 | Feed (back) Dog Stop Screw for 168074..... |
| 50505C | 25552 | Thread Carrying Finger Oscillating Arm Slide Block Holder Driving Stud Bushing Set Screw for 168111..... |
| 50608R | 25551 | Arm Hole Plug Screw, for access to Crank Connecting Rod (upper hearing)..... |
| 50624E | 25556 | Thread Carrying Finger Clamping Screw for 131811..... |
| 51047C | 25565 | Needle Guard (movable) Screw for 247-4 Machine..... |
| 51061AL | 25553 | Feed Eccentric Body Set Screw for 168011 (3)..... |
| 51119J | 25561 | Looper Holder Screw..... |
| 51283AL | 25553 | Machine Driving Pulley Set Screw for 131914 (2)..... |
| 51323J | 25564 | Thread (under) Take-up Stripper Screw for 168104..... |

| No. | Plate | Name |
|---------|-------|--|
| 51369E | 25565 | Needle Guard (movable) Holder Screw for 247-4 Machine..... |
| 51408AL | 25558 | Feed (front) Bar Feed Dog Seat Screw for 147570..... |
| 51570C | 25563 | Tension (thread covering) Regulating Thumb Nut for 59539..... |
| 51570C | 25563 | Tension (under thread) Regulating Thumb Nut for 131809 (2)..... |
| 51570C | 25563 | Tension (upper thread) Regulating Thumb Nut for 59539 (3)..... |
| 51576E | 24409 | Machine Base Screw Stud Nut for 131264 (3)..... |
| 51700C | 25558 | Gathering Feed Regulator Connection Hinge Screw (back) Nut for 168304..... |
| 51715AL | 25553 | Crank Connecting Rod Cap (lower) Screw Stud Nut for 131926 (2)..... |
| 53225 | 25563 | Thread (under) Eyelet (back)..... |
| 54038 | 25555 | Oil Splash Guard (side of arm) Holder..... |
| 54047 | 25563 | Tension (upper thread) Releasing Shaft Crank with 624AL..... |
| 54048 | 25563 | Tension (upper thread) Releasing Shaft Crank Link..... |
| 54218 | 25553 | Arm Rotary Shaft Bushing (intermediate) Oil Pad (upper)..... |
| 54245 | 25563 | Tension (upper thread) Bracket..... |
| 54246 | 25563 | Tension (upper thread) Releasing Shaft..... |
| 54279 | 25563 | Tension (thread covering) Thread Guide (double)..... |
| 54279 | 25563 | Tension (upper thread) Thread Guide (double) (3)..... |
| 54369 | 25560 | Knife (movable) Lever Bearing Arm Collar with two 465AL..... |
| 54477 | 24409 | Machine Base Screw Stud, to fasten base to table for 131264 (3)..... |
| 54969 | 25552 | Arm Rock Shaft Oil Pad for oiling Intermediate Bearing..... |
| 54988 | 25563 | Tension (thread covering) Releasing Pin..... |
| 54988 | 25563 | Tension (upper thread) Releasing Pin (3)..... |
| 56864 | 25571 | Chain Hook (large) for 6439 and 37563..... |
| 56865 | 25571 | Chain Hook (small) for 6439 and 37563..... |
| 57234 | 25559 | Feed Rocking Frame Hinge Pin for 247-5 Machine..... |
| 57235 | 25558 | Feed Rocking Frame Hinge Pin Bushing (2)..... |
| 59343 | 25559 | Feed Bar Hinge Pin Collar with 735AL, for 168152..... |
| 59343 | 25558 | Feed Connecting Rod Hinge Pin Collar with 735AL, for 168304..... |
| 59537 | 25563 | Tension (thread covering) Spring Bushing (large)..... |
| 59537 | 25563 | Tension (under thread) Spring Bushing (large) (2)..... |
| 59537 | 25563 | Tension (upper thread) Spring Bushing (large) (3)..... |
| 59538 | 25563 | Tension (thread covering) Spring Bushing (small)..... |
| 59538 | 25563 | Tension (under thread) Spring Bushing (small) (2)..... |
| 59538 | 25563 | Tension (upper thread) Spring Bushing (small) (3)..... |
| 59539 | | Tension (thread covering) Screw Stud 50326C with 51570C..... |
| 59539 | | Tension (upper thread) Screw Stud 50326C with 51570C (3)..... |
| 64320 | 25556 | Needle Bar Bushing (upper)..... |
| 68123 | 25568 | Needle Guard (movable) Clamp for 247-5 Machine..... |
| 68261 | 25563 | Tension (upper thread) Releasing Shaft Spring..... |
| 68350 | 25552 | Arm Oil Cup, for oiling Arm Rock Shaft Front Bearing..... |
| 68428 | 25551 | Arm Bottom Cover..... |
| 68429 | 25551 | Arm Bottom Cover Gasket (cork)..... |
| 68433 | 25552 | Arm Rock Shaft Bushing (back)..... |
| 68435 | 25552 | Arm Rock Shaft Bushing (back) Cap..... |
| 68436 | 25552 | Arm Rock Shaft Bushing (intermediate)..... |
| 68448 | 25551 | Arm Side Cover Gasket..... |
| 68483 | | Arm Rotary Shaft Bushing (front) Bracket with 761E, for 168066..... |
| 68489 | 25556 | Needle Bar Connecting Link Hinge Stud (hollow) for 168031..... |
| 68492 | 25562 | Oil Pipe (back of arm) with 68497, for oiling Feed Rocking Frame Hinge Pin Front Bearing..... |
| 68493 | 25562 | Oil Pipe (back of arm) Clamp..... |
| 68494 | 25562 | Oil Pipe (back of arm) Connection with 68495 and two 198E, for oiling Feed Rocking Frame Hinge Pin Back Bearing..... |

How to find the part you need:

| No. | Plate | Name | No. | Plate | Name |
|--------|-------|--|--------|-------|---|
| 68495 | 25562 | Oil Pipe (back of arm) Connection Oil Pad (wick) for 68494 | 131402 | 25563 | Presser Bar Lifting Lever |
| 68496 | 25562 | Oil Pipe (back of arm) Coupling | 131456 | 25552 | Arm Rock Shaft Flanged Bushing (front) |
| 68497 | 25553 | Arm Rotary Shaft Bushing (front) Bearing Oil Pad (wick) | 131457 | 25553 | Arm Rotary Shaft Bushing (intermediate) |
| 68497 | 25553 | Feed Connecting Rod Oil Pad (wick) for 131500 | 131478 | 25553 | Arm Rotary Shaft Ball Bearing (back) Case for 131479 |
| 68497 | 25553 | Looper Carrier Shaft Oil Pad (wick) | 131479 | | Arm Rotary Shaft Ball Bearing (back) Case 131478 with 131369 and three 205C, for 131526 |
| 68497 | 25562 | Oil Pipe (back of arm) Oil Pad (wick) for 68492 | 131480 | 25553 | Arm Rotary Shaft Ball Bearing (back) Spacing Collar for 131526 |
| 68497 | 25562 | Oil Pipe (front of arm, long) Oil Lead Oil Pad (wick) for 168039 | 131481 | 25553 | Arm Rotary Shaft Ball Bearing (intermediate) Case |
| 120341 | 25571 | Tweezers (curved) Accessories | 131482 | 25553 | Arm Rotary Shaft Ball Bearing (intermediate) Collar with two 457AL |
| 120344 | 25571 | Oiler (copper plated) with 120345 (Accessories) | 131492 | 25556 | Needle Bar Connecting Stud with 1492E, for 168031 |
| 120345 | 25571 | Oiler Spout, 4 1/2 in. long, for 120344 | 131496 | 25563 | Thread (upper) Take-up (auxiliary) Clamp |
| 120440 | 25571 | Screw Driver (large) Accessories | 131497 | 25556 | Needle Bar (hollow) for 168094 |
| 121108 | 25571 | Screw Driver (small) Accessories | 131500 | 25553 | Feed Connecting Rod with 1057AL, 68497, 134260 and two 896AL, for 168010 |
| 126249 | 25573 | Treadle for 150452 | 131504 | 25561 | Looper Holder with 1120AL |
| 126250 | 25573 | Treadle Spring for 150452 | 131526 | | Arm Rotary Shaft Ball Bearing (back) Case with Ball Bearings complete, Nos. 131479, 131480 and two 131366 |
| 126849 | 25571 | Bench Stand Flap Hinge with four wood screws 3/4 in. No. 7 for 135320 (2) | 131696 | 25563 | Tension (under thread) Thread Guide (double) (2) |
| 131003 | 25562 | Oil Pipe (front of arm, long) Oil Lead Connection with two 198E, for 168038 and 168039 (2) | 131730 | 25559 | Feed Bar Feed Dog Seat (adjustable) with 460AL, for 168149 |
| 131004 | 25562 | Oil Pipe (front of arm, long) Coupling (left) | 131740 | 25563 | Tension (thread covering) Spring |
| 131004 | 25562 | Oil Pipe (front of arm, long) Oil Lead Coupling | 131740 | 25563 | Tension (under thread) Spring (2) |
| 131004 | 25562 | Oil Pipe (front of arm, short) Coupling (2) | 131741 | 25563 | Tension (upper thread) Spring (3) |
| 131022 | 24409 | Machine Base Screw Stud Bushing (rubber) for 168066 (4) | 131749 | 25551 | Presser Bar Spring for 168044 |
| 131028 | 25553 | Arm Rotary Shaft Bushing (front) Oil Plug | 131750 | 25551 | Presser Bar Spring (auxiliary) for 168044 |
| 131028 | 25556 | Thread Carrying Finger Oscillating Arm Slide Block Holder Shaft Oil Screw Plug | 131752 | 25551 | Pressure Regulating Thumb Screw Washer for 168044 |
| 131056 | 25552 | Arm Rock Shaft Adjusting Screw Washer | 131760 | 25556 | Face Plate (lower half) |
| 131072 | 25553 | Arm Rock Shaft Crank, back (ball bearing, solid) with two 50083AL, for 131930 | 131761 | 25556 | Face Plate (lower half) Gasket (cork) |
| 131089 | | Oil Pipe (front of arm, short) Oil Pad (wick) for 168040 | 131762 | 25556 | Face Plate (upper half) |
| 131095 | 25552 | Arm Rock Shaft Bushing (back) Cap Washer (fiber) | 131766 | 25558 | Feed (back) Bar Hinge Pin for 247-4 Machine |
| 131188 | 24409 | Machine Base Oil Drain Jar Clamp for 131217 | 131769 | 25558 | Feed (front) Bar Guide for 147571 |
| 131189 | 24409 | Machine Base Oil Drain Jar Clamp Lever for 131217 | 131770 | 25558 | Feed (front) Bar Slide Bar for 147571 |
| 131197 | 25559 | Feed Bar Hinge Pin (eccentric) for 168152 | 131772 | 25558 | Feed Connecting Rod Hinge Pin (eccentric) for 168304 |
| 131205 | 24409 | Machine Base Screw Stud to position machine on base for 131264 (4) | 131773 | 25558 | Feed Rocking Frame with 889AL and two 1036AL, for 168304 |
| 131217 | | Machine Base Oil Drain Jar Clamp 131188 with 131189, for 131268 | 131775 | 25558 | Feed Rocking Frame Hinge Pin for 168304 |
| 131240 | 25559 | Feed Rocking Frame with two 453AL, for 168152 | 131776 | 25558 | Gathering Feed Actuating Lever for 131867 |
| 131263 | 24409 | Machine Base for 131264 | 131777 | 25558 | Gathering Feed Actuating Lever Bracket with 175C, 910AL and two 1735C, for 131867 |
| 131264 | 24409 | Machine Base complete, for 131328, Nos. 131263, three each 9842, 51576E, 54477 and four each 131205 and 131279 | 131778 | 25558 | Gathering Feed Actuating Lever Spring for 247-4 Machine |
| 131265 | 24409 | Machine Base Oil Drain Jar Nipple (long) for 131268 (2) | 131779 | 25558 | Gathering Feed Regulator with two 1057AL, for 168304 |
| 131266 | 24409 | Machine Base Oil Drain Jar Nipple (short) for 131268 | 131780 | 25558 | Gathering Feed Regulator Connection for 168304 |
| 131267 | 24409 | Machine Base Oil Drain Jar Nipple Elbow for 131268 (2) | 131781 | 25558 | Gathering Feed Regulator Connection Hinge Screw (back) Nut Washer for 168304 |
| 131268 | 24409 | Machine Base Oil Drain Jar (swinging type) complete, for 131328, Nos. 131217, 131266, 131961, 131962 and two each 1247C, 131265 and 131267 | 131798 | 25562 | Oil Pipe (front of arm, long) Coupling (right) |
| 131270 | 25556 | Needle Bar Connecting Link Hinge Stud Oil Pad (wick) | 131799 | 25556 | Presser Bar Lifting Bracket with 453AL |
| 131276 | 25551 | Arm Side Cover (oil vent) for 131911 | 131809 | | Tension (under thread) Screw Stud 140113C with 51570C (2) |
| 131279 | 24409 | Machine Cushion (felt) for 131264 (4) | 131811 | 25556 | Thread Carrying Finger Holder (segment) with 50624E, for 131868 |
| 131280 | 25551 | Arm Side Cover Cap Position Pin for 131911 | 131812 | 25556 | Thread Carrying Finger Holder Bracket for 131868 |
| 131291 | 25556 | Needle Bar Bushing (lower) for 247-4 Machine | 131813 | 25556 | Thread Carrying Finger Holder Slide Block for 131868 |
| 131319 | 25552 | Arm Oil Cup Oil Pad for 68350 | 131814 | 25556 | Thread Carrying Finger Holder Slide Block Crank with 171AL, for 131868 |
| 131328 | 24409 | Machine Base and Oil Drain Jar (swinging type) complete, Nos. 131264 and 131268 | 131815 | 25556 | Thread Carrying Finger Oscillating Arm (forked) and Presser Bar Bushing (lower) |
| 131366 | 25553 | Arm Rotary Shaft Ball Bearing (back) for 131526 (2) | 131816 | 25556 | Thread Carrying Finger Oscillating Arm Slide Block for 147518 |
| 131366 | 25553 | Arm Rotary Shaft Ball Bearing (intermediate) | 131817 | 25556 | Thread Carrying Finger Oscillating Arm Slide Block Holder with 462AL, for 147518 |
| 131369 | 25553 | Arm Rotary Shaft Ball Bearing (back) Case Cap for 131479 | | | |
| 131370 | 25553 | Arm Rotary Shaft Ball Bearing (back) Case Position Stud (3) | | | |

| No. | Plate | Name |
|----------|-------|--|
| 131818 | 25556 | Thread Carrying Finger Oscillating Arm Slide Block Holder Driving Stud |
| 131819 | 25552 | Thread Carrying Finger Oscillating Arm Slide Block Holder Driving Stud Bushing for 168111 |
| 131820 | 25556 | Thread Carrying Finger Oscillating Arm Slide Block Holder Shaft |
| 131821 | 25556 | Thread Laying Finger |
| 131864 | 25553 | Arm Oil Cup for 131866 |
| 131865 | 25553 | Arm Oil Cup Oil Gauge for 131866 |
| 131866 | 25553 | Arm Oil Cup with Oil Gauge complete, for filling oil reservoir, Nos. 131864 and 131865 |
| 131867 | 25558 | Gathering Feed Actuating Lever Bracket 131777 with 359C, 1226C, 1520J, 9525, 50183F, 131776 and two 1654C, for 247-4 Machine |
| 131868 | | Thread Carrying Finger Holder Bracket 131812 with 212J, 226C, 131811, 131813 and 131814 |
| 131909 | 25551 | Arm Side Cover Cap for 131911 |
| 131910 | 25551 | Arm Side Cover Cap Spring for 131911 |
| 131911 | 25551 | Arm Side Cover (oil vent) complete, Nos. 1289X, 131276, 131280, 131909 and 131910 |
| 131912 | 25556 | Presser Bar (hollow) |
| 131914 | 25553 | Machine Driving Pulley, "V" belt groove (outside diam. of belt groove 2.9 in.) with two 51283AL, for 3/8 in. "V" belt |
| 131926 | 25553 | Crank Connecting Rod with two each 1057AL, 51715AL, 131927 and 131928, for 131930 |
| | | NOTE: When No. 131926 is required for repairs, Connecting Rod and Arm Rock Shaft Crank (back) fitted together will be furnished. All Agency orders for the part must state the Machine No. for which it is required, in order to obtain correct Needle Bar stroke. |
| 131927 | 25553 | Crank Connecting Rod Cap (lower) Screw Stud for 131926 (2) |
| 131928 | 25553 | Crank Connecting Rod Cap (lower) Screw Stud Nut Lock Washer for 131926 (2) |
| 131930 | | Crank Connecting Rod 131926 with 131072, for 168003 and 168147 |
| 131959 | 25553 | Arm Rotary Shaft Bushing (front) |
| 131961 | 24409 | Machine Base Oil Drain Jar (glass) 2 1/8 in. diam. at mouth for 131268 |
| 131962 | 24409 | Machine Base Oil Drain Jar Cap (diam. of recess for jar 2 7/16 in.) for 131268 |
| 132583 | 25560 | Knife (movable) Lever Connecting Link Hinge Pin with 132584, for 168187 |
| 132583 | 25561 | Looper (avoiding motion) Eccentric Connection Hinge Pin with 132584, for 168208 |
| 132584 | 25560 | Knife (movable) Lever Connecting Link Hinge Pin Oil Pad (wick) for 132583 |
| 132584 | 25561 | Looper (avoiding motion) Eccentric Connection Hinge Pin Oil Wick for 132583 |
| 134260 | 25553 | Feed Connecting Rod Oil Pad Retainer for 131500 |
| 135320 | | Bench Stand with 27998, two 126849 and ten wood screws 2 in. No. 10 (for semi-submerged mounting) |
| 138306 | | Feed Eccentric Lubricating Pad (wood) for 168011 |
| 139017 | 25551 | Arm Hole Plug Screw Washer |
| 140113C | 25563 | Tension (under thread) Screw Stud for 131809 (2) |
| 140159AL | 25561 | Looper (driving) Eccentric Connection Cap (upper) Screw for 168025 (2) |
| 140180J | 25564 | Thread (under) Eyelet (front) Screw for 168104 |
| 140180J | 25564 | Thread (under) Take-up Stripper Thread Guide Screw for 168104 |
| 140180J | 25564 | Thread (under) Take-up Stripper Thread Separator Screw for 168104 |

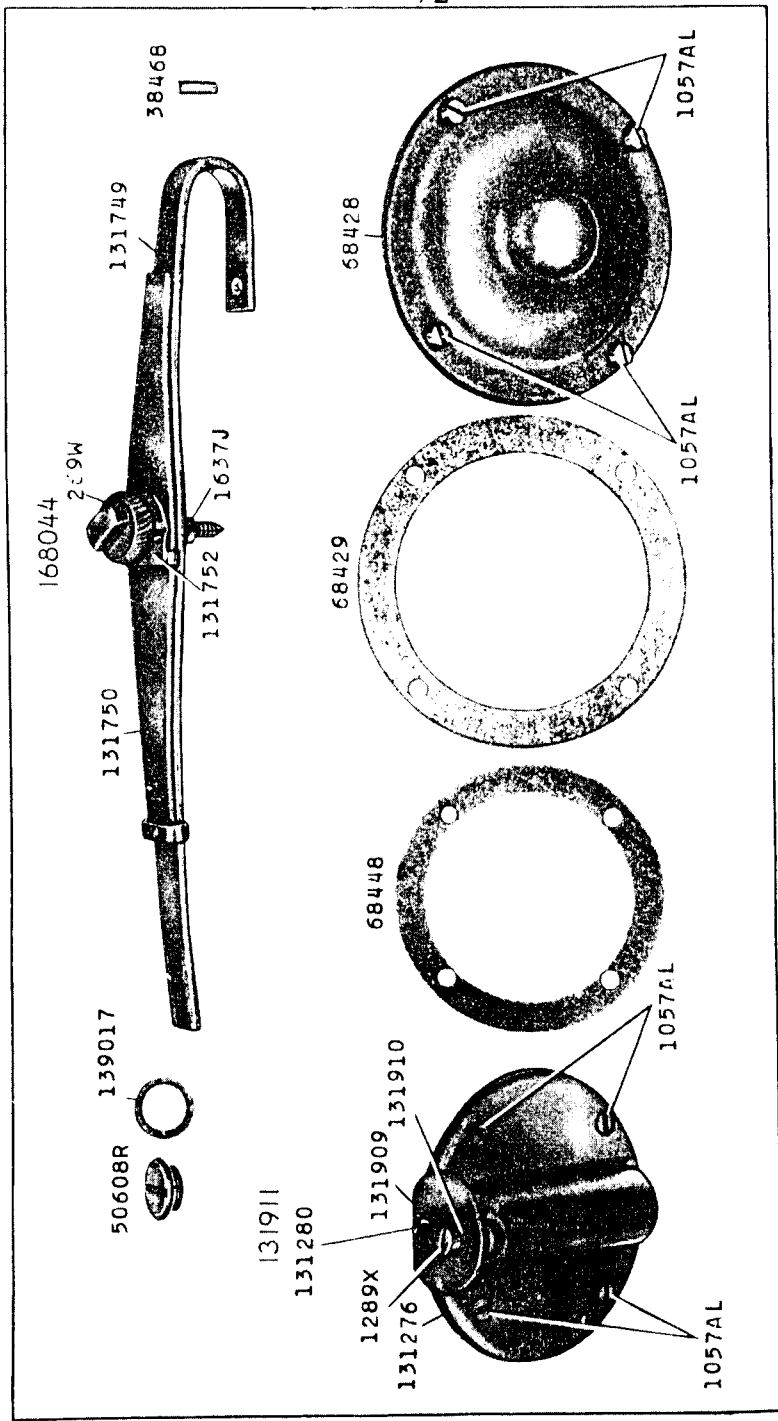
| No. | Plate | Name |
|---------|-------|---|
| 140219C | 25573 | Knee Lifter Rock Shaft Stop Dog Set Screw for 2770 |
| 140275J | 25568 | Feed Dog Screw, for use with Movable Needle Guard, for 247-5 Machine |
| 140311C | 25558 | Gathering Feed Regulator Connection Hinge Screw (back) for 168304 |
| 140407C | 25564 | Thread (under) Take-up Stripper Plate Bracket Screw |
| 140645F | 25556 | Thread Carrying Finger Oscillating Arm Slide Block Cap Screw for 147518 |
| 147518 | | Thread Carrying Finger Oscillating Arm Slide Block 131816 with 131817 and 140645F |
| 147568 | 25558 | Feed (front) Bar for 147570 |
| 147569 | 25558 | Feed (front) Bar Feed Dog Seat (adjustable) for 147570 |
| 147570 | | Feed (front) Bar complete, for 147571, Nos. 51408AL, 147568 and 147569 |
| 147571 | | Feed (front) Bar 147570 with 131769 and 131770, for 168304 |
| 150203 | 25574 | Thread Unwinder Spool Rest Cushion (felt) for 151038 (6) |
| 150451 | 25573 | Treadle Stand for 150452 |
| 150452 | 25573 | Treadle complete, Nos. 4879, 4882, 126249, 126250, 150451 and two wood screws 1 in. No. 16 F.H. |
| 151032 | 25574 | Thread Unwinder Base with 138R and three wood screws 1 in. No. 12 F.H., for 151038 |
| 151034 | 25574 | Thread Unwinder Spool Rest Bracket Rod, for 151038 |
| 151035 | 25574 | Thread Unwinder Thread Guide for 151038 (6) |
| 151038 | 25574 | Thread Unwinder complete (for six spools) Nos. 1395R, 151032, 151034, 151039, three 225257, six each 150203, 151035 and twelve each 1521R and 9525R |
| 151039 | 25574 | Thread Unwinder Spool Rest Bracket for 151038 |
| 168002 | 25553 | Arm Rotary Shaft with 168215, for 168003 |
| 168003 | | Arm Rotary Shaft 168002 with 131930 and 168010, for 247-4 Machine |
| 168010 | | Feed Connecting Rod 131500 with 168011, for 168003 and 168147 |
| 168011 | | Feed Eccentric (adjustable) complete, for 168010, Nos. 1103C, 138306, two each 217J, 7071 and three 51061AL |
| 168012 | 25553 | Feed Lifting Eccentric with three 624AL, for 247-4 Machine |
| 168012 | 25553 | Looper (avoiding motion) Eccentric with three 624AL, for 247-4 Machine |
| 168016 | 25561 | Looper Carrier for 168208 |
| 168017 | 25561 | Looper Carrier Shaft with 1231E, for 168238 |
| 168018 | 25561 | Looper Carrier Shaft Crank with two 1057AL, for 168205 |
| 168019 | 25561 | Looper (avoiding motion) Eccentric Connection with 223C, for 168208 |
| 168020 | 25561 | Looper (avoiding motion) Eccentric Connection Holder for 168208 |
| 168021 | 25561 | Looper (avoiding motion) Eccentric Connection Holder Screw Bushing for 168208 |
| 168022 | 25561 | Looper (avoiding motion) Eccentric Connection Holder Screw Bushing Bearing |
| 168023 | 25561 | Looper (avoiding motion) Eccentric Connection Holder Thrust Bearing for 168208 |
| 168024 | 25561 | Looper (driving) Eccentric with three 1036AL, for 168205 |
| 168025 | 25561 | Looper (driving) Eccentric Connection with two each 175C and 140159AL, for 168205 |
| 168026 | 25561 | Looper (driving) Eccentric Connection Position Plate for 168205 |
| 168030 | 25556 | Needle Bar Connecting Link for 168031 |
| 168031 | | Needle Bar Connecting Link 168030 with 68489 and 131492 |
| 168035 | 25565 | Needle Guard (movable) Holder for 247-4 Machine |
| 168036 | 25562 | Oil Pipe (front of arm, long) with two 1733, for 168037 |
| 168037 | | Oil Pipe (front of arm, long) complete, Nos. 168036, 168038 and 168039 |

| No. | Plate | Name |
|--------|-------|--|
| 168038 | 25562 | Oil Pipe (front of arm, long) Oil Lead with 1733 and 131003, for oiling Arm Rotary Shaft Front Bearing, for 168037 |
| 168039 | 25562 | Oil Pipe (front of arm, long) Oil Lead with 68497 and 131003, for oiling Feed Connecting Rod for 168037 |
| 168040 | 25562 | Oil Pipe (front of arm, short) with 131089 and two 1733 |
| 168042 | 25555 | Oil Splash Guard (side of arm) |
| 168043 | 25563 | Presser Bar Lifting Lever Extension |
| 168044 | 25551 | Presser Bar Spring complete, Nos. 269W, 1637J, 131749, 131750 and 131752 |
| 168045 | 25563 | Thread (upper) Take-up (auxiliary) |
| 168046 | 25556 | Tension (thread covering) Controller Eyelet |
| 168047 | 25556 | Tension (thread covering) Thread Guide |
| 168048 | 25556 | Thread Laying Finger Holder with 1057AL and two 50370AL |
| 168051 | 25553 | Thread (under) Take-up with three 50150AL |
| 168052 | 25564 | Thread (under) Take-up Stripper for 168104 |
| 168053 | 25564 | Thread (under) Take-up Stripper Bracket for 168104 |
| 168061 | 25563 | Thread (upper) Eyelet |
| 168063 | 25573 | Belt Guard with two wood screws 3/4 in. No. 12 R.H. |
| 168066 | | Arm, upper and lower (solid) with 948J, 68483 and four 131022 |
| 168067 | 25555 | Chip Chute |
| 168068 | 25555 | Chip Chute Arm |
| 168071 | 25555 | Cloth Plate Slide for 168072 |
| 168072 | 25555 | Cloth Plate Slide complete, for 168301, Nos. 38419, 168071 and two 665J |
| 168074 | 25558 | Feed (back) Bar with 620AL, 1147AL and 50429AL, for 168304 |
| 168076 | 25559 | Feed Bar Slide Block (two pieces) for 247-5 Machine |
| 168076 | 25558 | Feed (back) Bar Slide Block (two pieces) for 247-4 Machine |
| 168077 | 25566 | Feed (back) Dog, 10 teeth (16 teeth to the inch) for 1/8 in.—3/16 in., 1/8 in.—1/4 in., 3/16 in.—1/8 in. and 3/16 in.—3/16 in. gauges, for 168108, for 247-4 Machine |
| 168078 | 25566 | Feed (front) Dog, 12 teeth (16 teeth to the inch) for 1/8 in.—3/16 in., 1/8 in.—1/4 in., 3/16 in.—1/8 in. and 3/16 in.—3/16 in. gauges, for 168108, for 247-4 Machine |
| 168080 | 25560 | Knife (movable) |
| 168081 | 25560 | Knife (movable) Holder with 1000C |
| 168082 | 25560 | Knife (movable) Lever with 1178C and 20437, for 168187 |
| 168083 | 25560 | Knife (movable) Lever Bearing Arm |
| 168084 | 25560 | Knife (movable) Lever Bearing Arm Bracket |
| 168085 | 25560 | Knife (movable) Lever Connecting Link |
| 168086 | 25560 | Knife (movable) Lever Connection with 620AL, for 168187 |
| 168087 | 25560 | Knife (movable) Lever Hinge Screw Stud |
| 168088 | 25560 | Knife (stationary) |
| 168089 | 25560 | Knife (stationary) Clamping Plate |
| 168090 | 25560 | Knife (stationary) Holder |
| 168094 | 25565 | Needle Bar complete, Nos. 131497 and 168095, for 1/8 in.—1/16 in., 1/8 in.—1/8 in., 1/8 in.—3/16 in., 1/8 in.—1/4 in., 3/16 in.—1/16 in., 3/16 in.—1/8 in., 3/16 in.—3/16 in., 1/4 in.—1/16 in. and 1/4 in.—1/8 in. gauges |
| 168095 | 25565 | Needle Clamp with 906AL and two 904AL, for 1/8 in.—1/16 in., 1/8 in.—1/8 in., 1/8 in.—3/16 in., 1/8 in.—1/4 in., 3/16 in.—1/16 in., 3/16 in.—1/8 in., 3/16 in.—3/16 in., 1/4 in.—1/16 in. and 1/4 in.—1/8 in. gauges, for 168094 |
| 168096 | 25566 | Needle Guard (movable) for 3/16 in.—3/16 in. and 1/4 in.—1/8 in. gauges, for 247-4 Machine |
| 168097 | 25555 | Oil Splash Guard |
| 168099 | 25565 | Presser Foot Shank for 168250 |
| 168101 | 25564 | Thread (under) Eyelet (front) for 168104 |

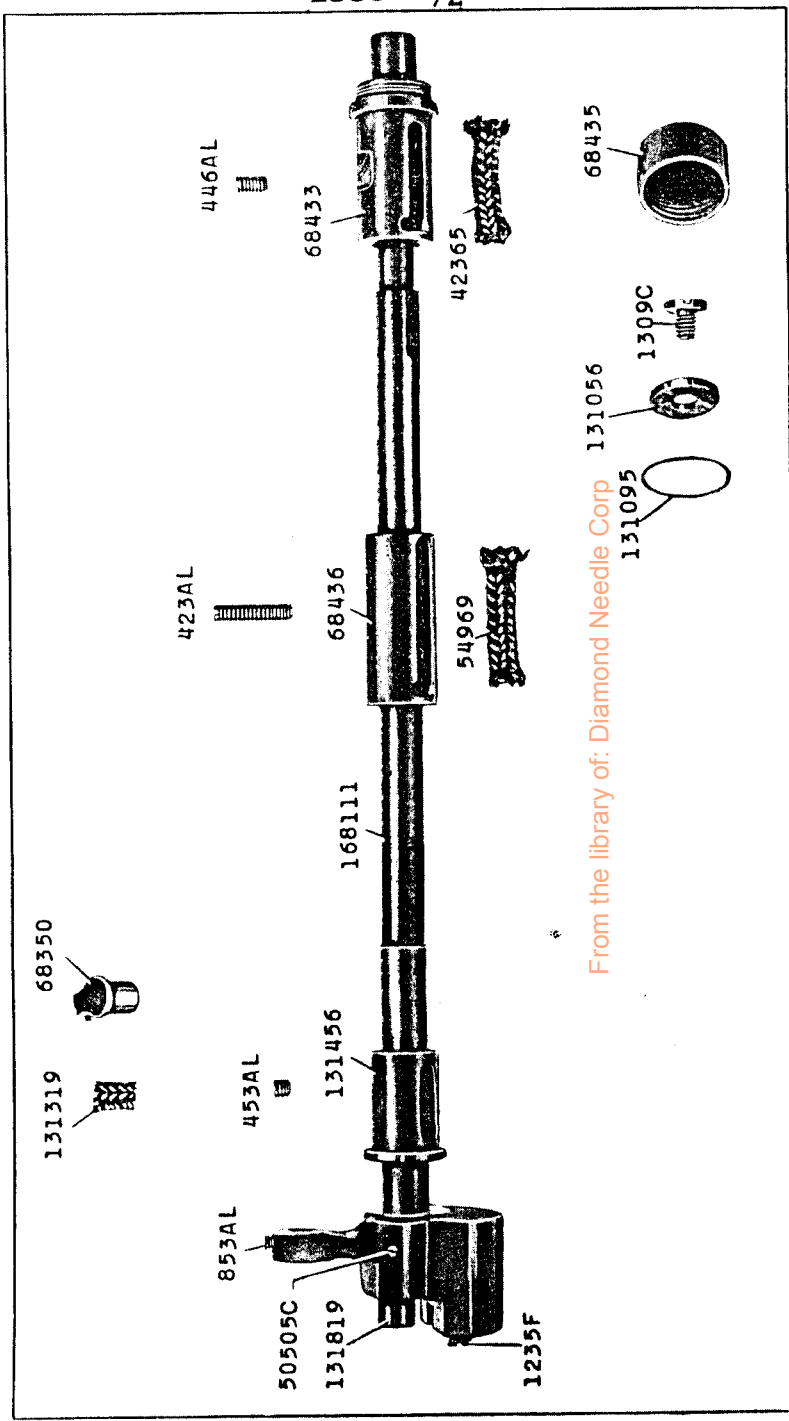
| No. | Plate | Name |
|--------|-------|---|
| 168102 | 25564 | Thread (under) Take-up Stripper Plate for 168104 |
| 168103 | 25564 | Thread (under) Take-up Stripper Plate Bracket for 168104 |
| 168104 | 25564 | Thread (under) Take-up Stripper Plate Bracket 168103 with 17022, 51323J, 168052, 168053, 168101, 168102, 168105, 168106 and three each 176J, 7071 and 140180J |
| 168105 | 25564 | Thread (under) Take-up Stripper Thread Guide for 168104 |
| 168106 | 25564 | Thread (under) Take-up Stripper Thread Separator for 168104 |
| 168107 | 25566 | Throat Plate for 168108 |
| 168108 | 25566 | Throat Plate 168107 with 168109 and two 706W, for 1/8 in.—3/16 in., 1/8 in.—1/4 in., 3/16 in.—1/8 in. and 3/16 in.—3/16 in. gauges, for 168077, 168078, 168150 and 168162 |
| 168109 | 25565 | Throat Plate Thread Retainer for 168108, 168135 and 168234 |
| 168111 | 25552 | Arm Rock Shaft and Front Crank with 853AL, 1235F, 50505C and 131819 |
| 168130 | 25556 | Thread (upper) Take-up with 223J |
| 168132 | 25567 | Feed (back) Dog, 12 teeth (16 teeth to the inch) for 1/4 in.—1/16 in. and 1/4 in.—1/8 in. gauges, for 168135, for 247-4 Machine |
| 168133 | 25567 | Feed (front) Dog, 12 teeth (16 teeth to the inch) for 1/4 in.—1/16 in., 1/4 in.—1/8 in. gauges, for 168135, for 247-4 Machine |
| 168134 | 25567 | Throat Plate, for 168135 |
| 168135 | 25567 | Throat Plate 168134 with 168109 and two 706W, for 1/4 in.—1/16 in. and 1/4 in.—1/8 in. gauges, for 168132, 168133 and 168253 |
| 168144 | 25563 | Tension (upper thread) Thread Separator |
| 168146 | 25554 | Arm Rotary Shaft with 168215, for 168147 |
| 168147 | | Arm Rotary Shaft 168146 with 131930 and 168010, for 247-5 Machine |
| 168148 | 25559 | Feed Bar with 620AL, for 168149 |
| 168149 | | Feed Bar and Feed Dog Leveling Device complete, for 168152, Nos. 190J, 22436, 131730 and 168148 |
| 168150 | 25569 | Feed Dog, 16 teeth (10 teeth to the inch) for 1/8 in.—3/16 in., 1/8 in.—1/4 in., 3/16 in.—1/8 in. and 3/16 in.—3/16 in. gauges, for 168108, for 247-5 Machine |
| 168151 | 25554 | Feed Lifting Eccentric with three 624AL, for 247-5 Machine |
| 168151 | 25554 | Looper (avoiding motion) Eccentric with three 624AL, for 247-5 Machine |
| 168152 | | Feed Rocking Frame 131240 with 59343, 131197, 132583 and 168149, for 247-5 Machine |
| 168153 | 25569 | Needle Guard (movable) for 1/8 in.—3/16 in., 1/8 in.—1/4 in., 3/16 in.—1/8 in., 3/16 in.—3/16 in., 1/4 in.—1/16 in. and 1/4 in.—1/8 in. gauges, for 247-5 Machine |
| 168162 | 25569 | Feed Dog, 25 teeth (16 teeth to the inch) for 1/8 in.—3/16 in., 1/8 in.—1/4 in., 3/16 in.—1/8 in. and 3/16 in.—3/16 in. gauges, for 168108, for 247-5 Machine |
| 168187 | | Knife (movable) Lever 168082 with 1722J, 14017, 132583 and 168086 |
| 168195 | 25561 | Looper (back) for 168197 |
| 168196 | 25561 | Looper (front) for 168197 |
| 168197 | 25561 | Loopers complete, Nos. 168195, 168196 and two 208AL |
| 168198 | 25572 | Chip Chute (under table) with four wood screws 3/8 in. No. 6 R.H.B., for semi-submerged mounting |
| 168199 | 25568 | Needle Guard (movable) for 3/16 in.—1/16 in. gauge, for 247-5 Machine |
| 168200 | 25568 | Needle Guard (movable) for 1/8 in.—1/16 in. and 1/8 in.—1/8 in. gauges, for 247-5 Machine |
| 168205 | | Looper (driving) Eccentric Connection 168025 with 50138E, 168018, 168024 and 168026, for 168238 |

Photographed by Librarian of the University of Toronto

25551-1/2



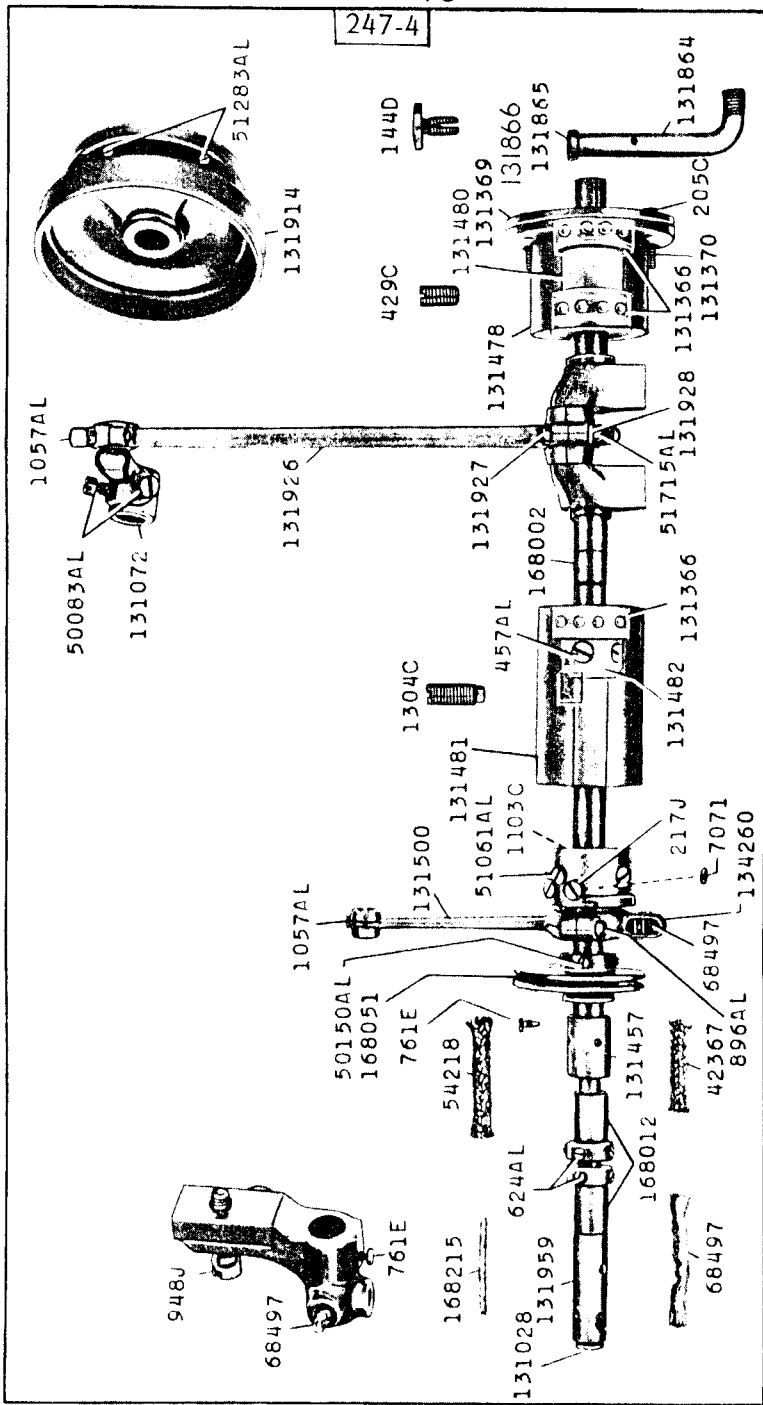
25552-1/2



From the library of: Diamond Needle Corp

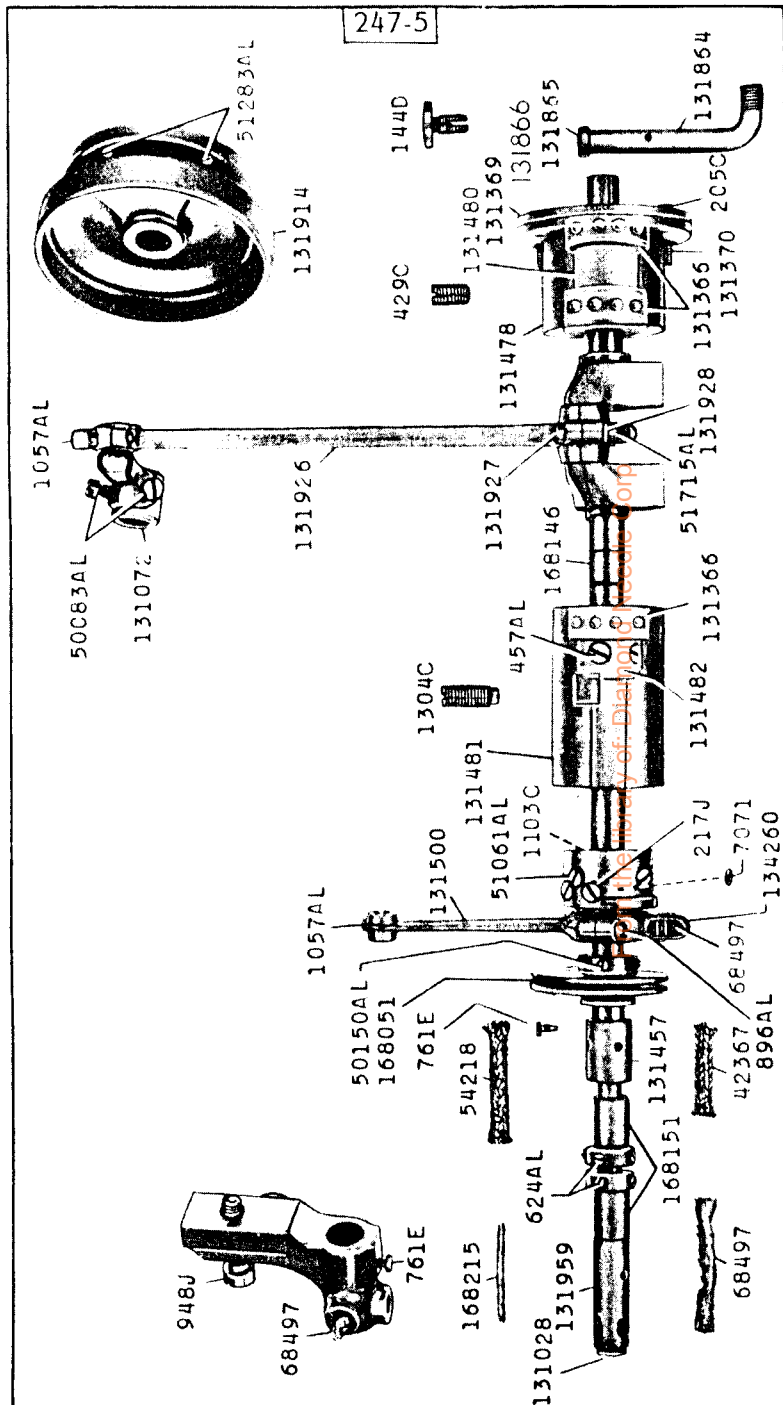
25553-1/3

247-4

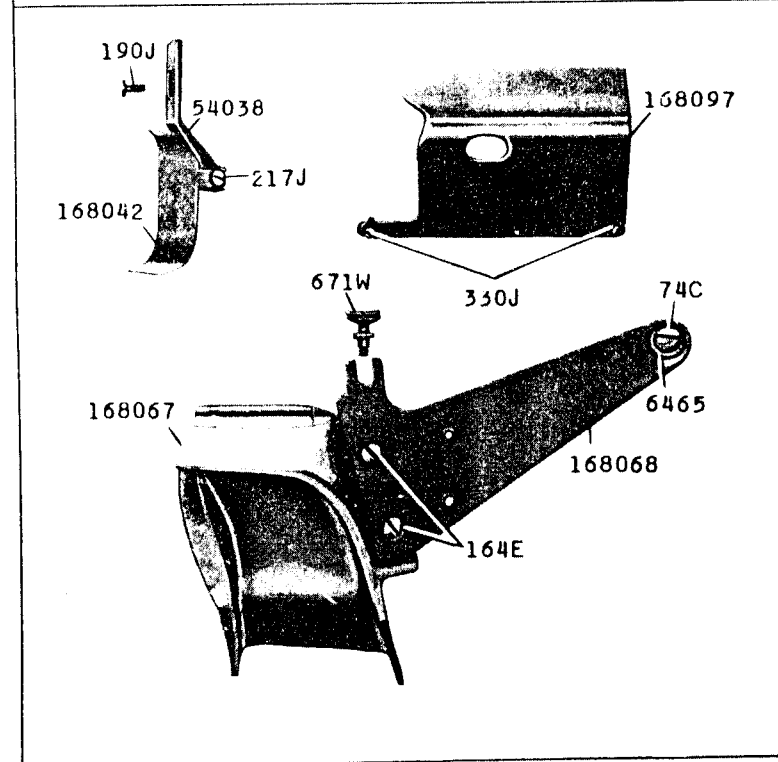
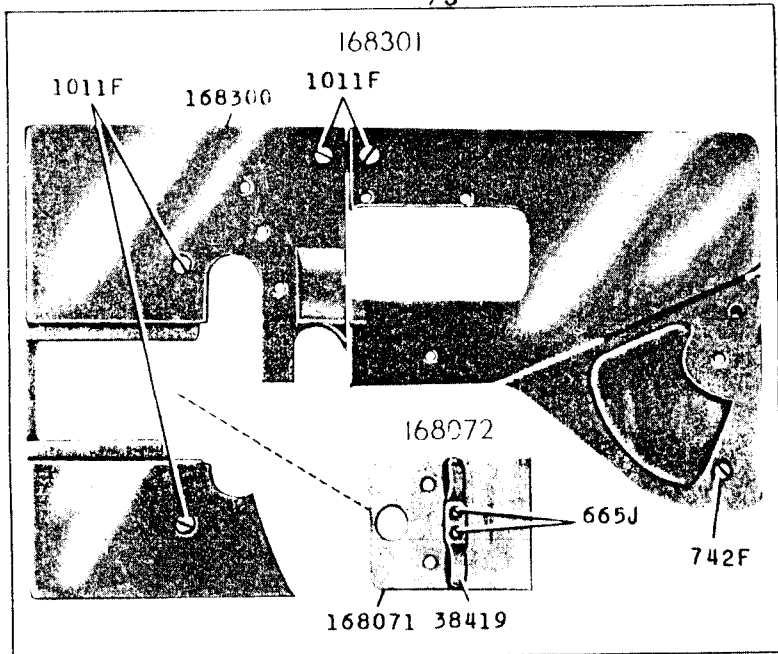


25554-1/3

247-5

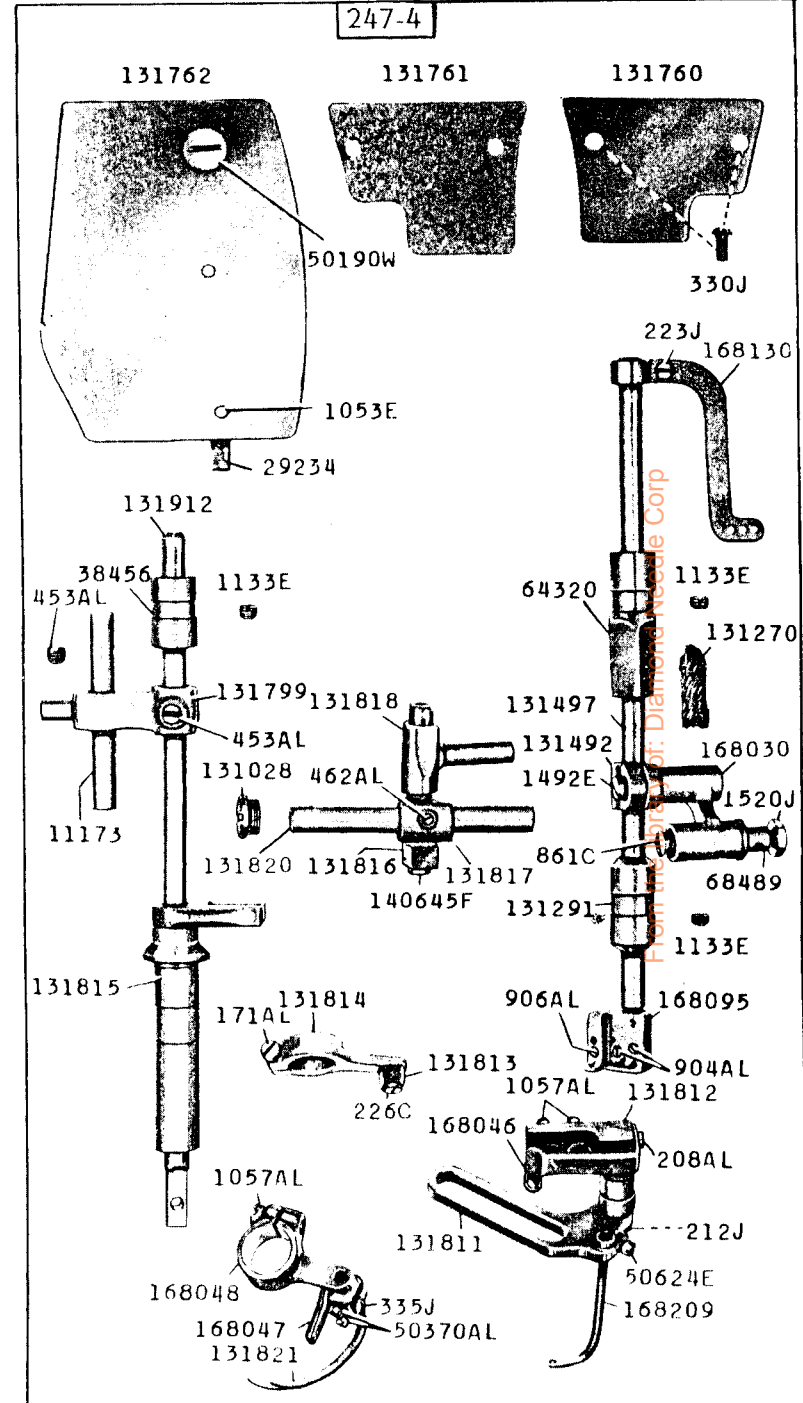


25555-1/3



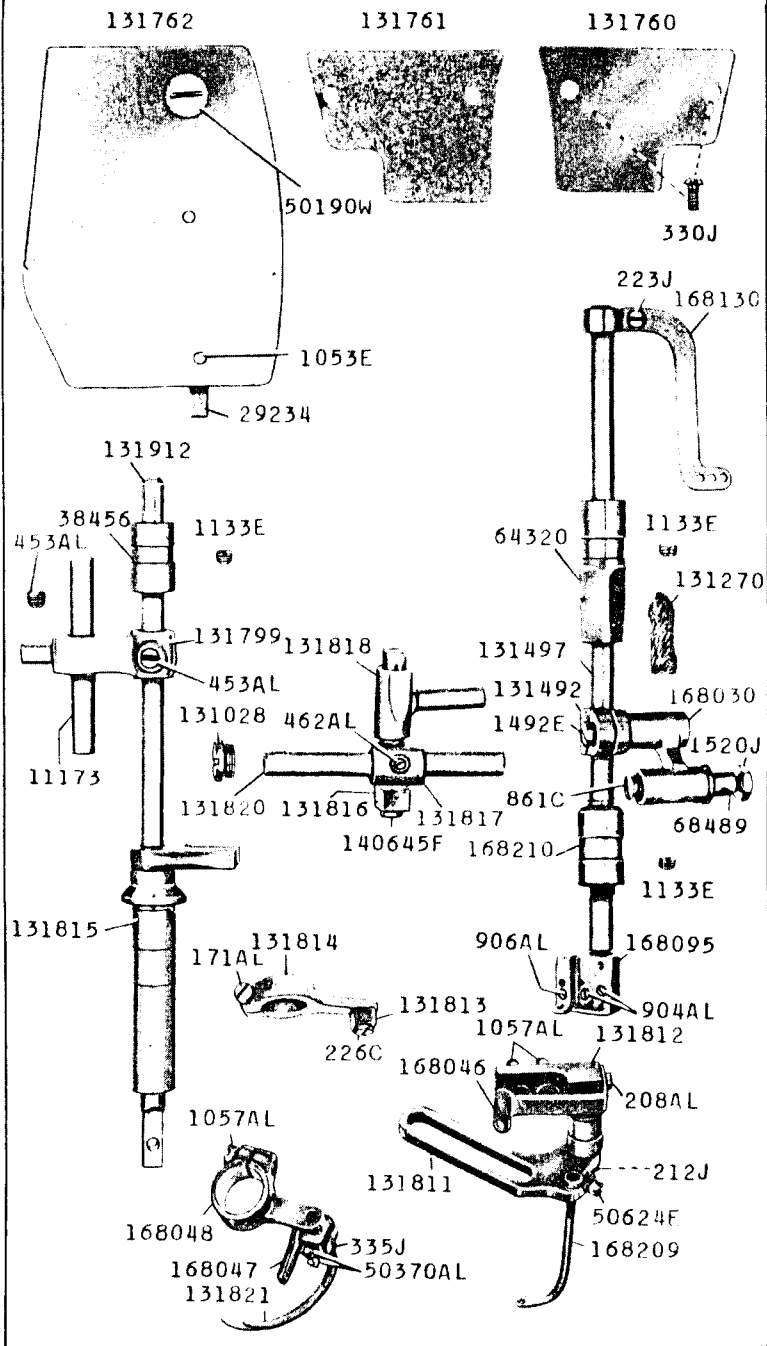
25556-1/2

247-4



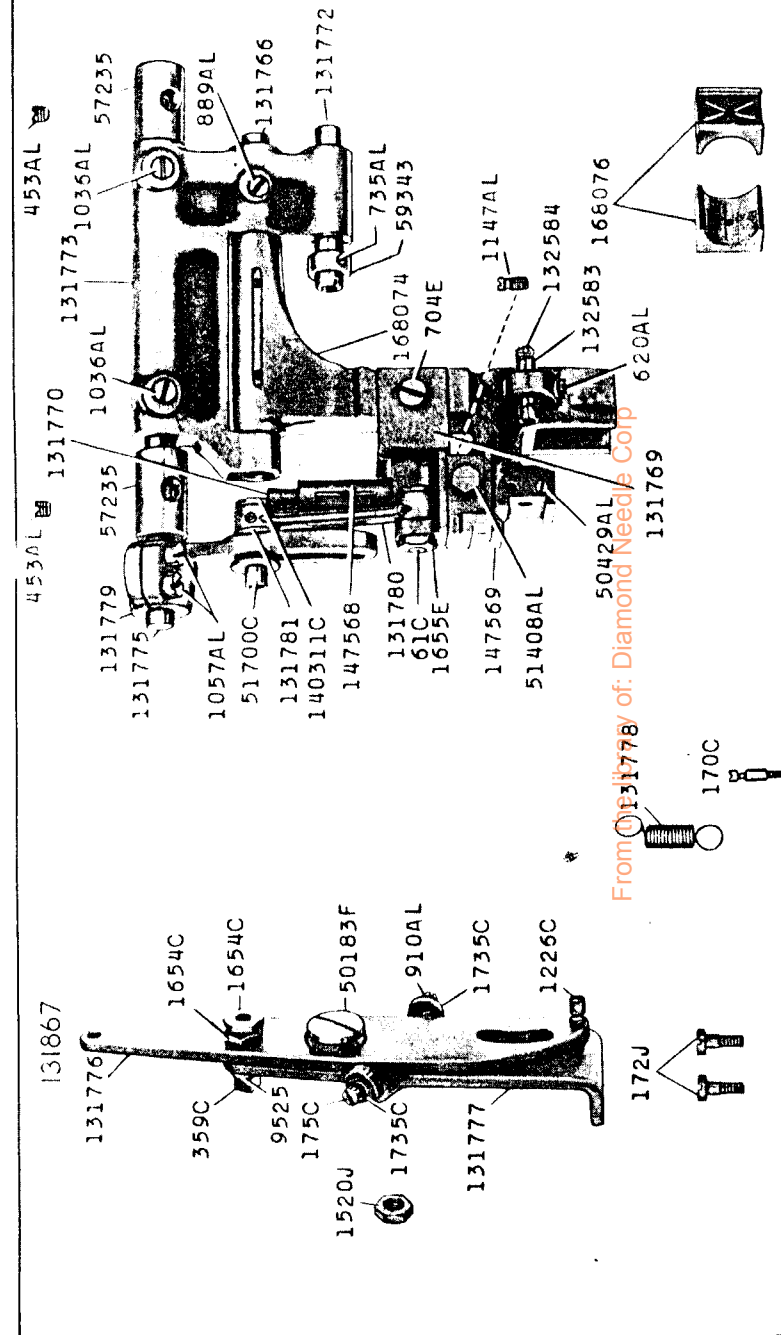
25557-1/2

247-5



25558-1/2

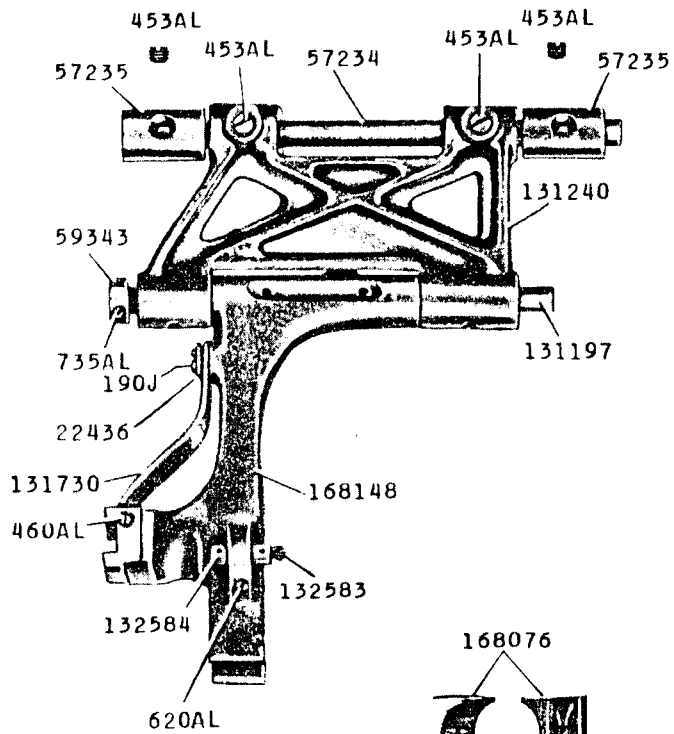
247-4



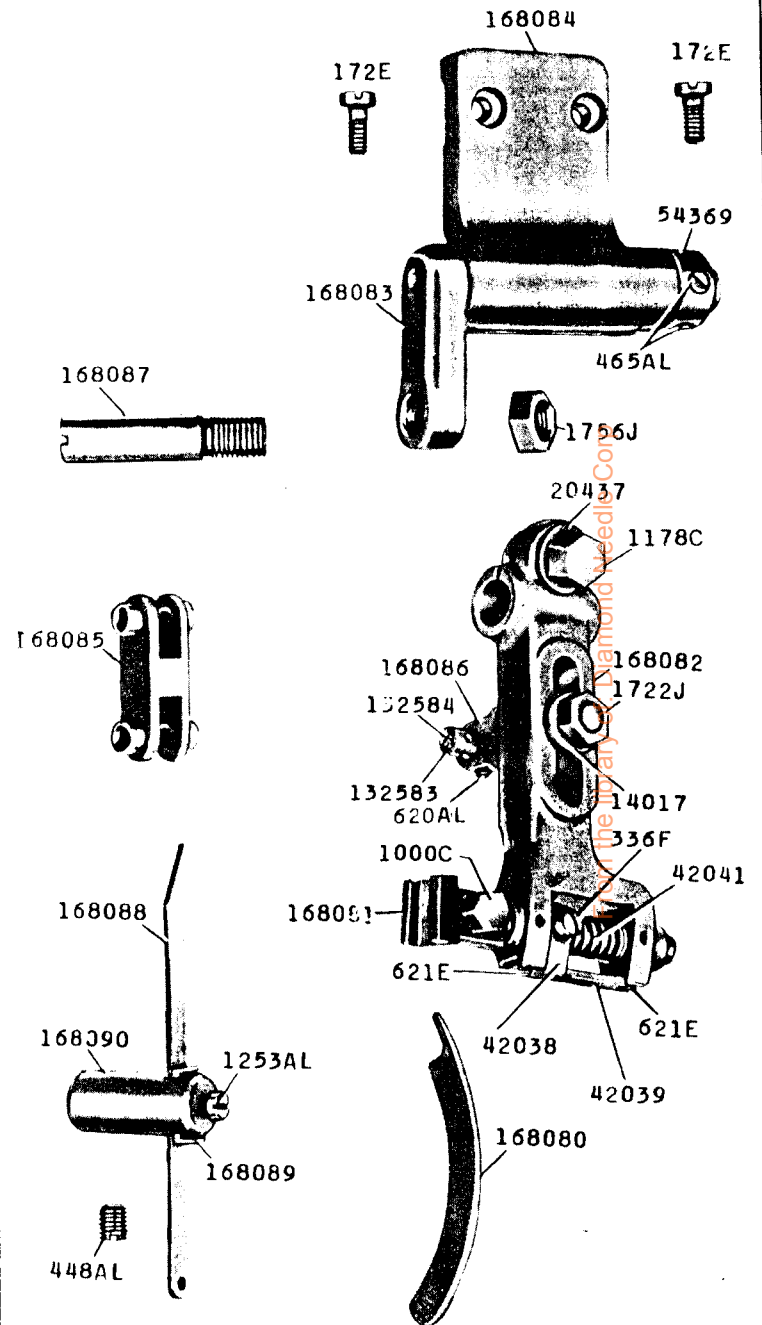
From 131778 of: Diamond Needle Corp

25559-1/2

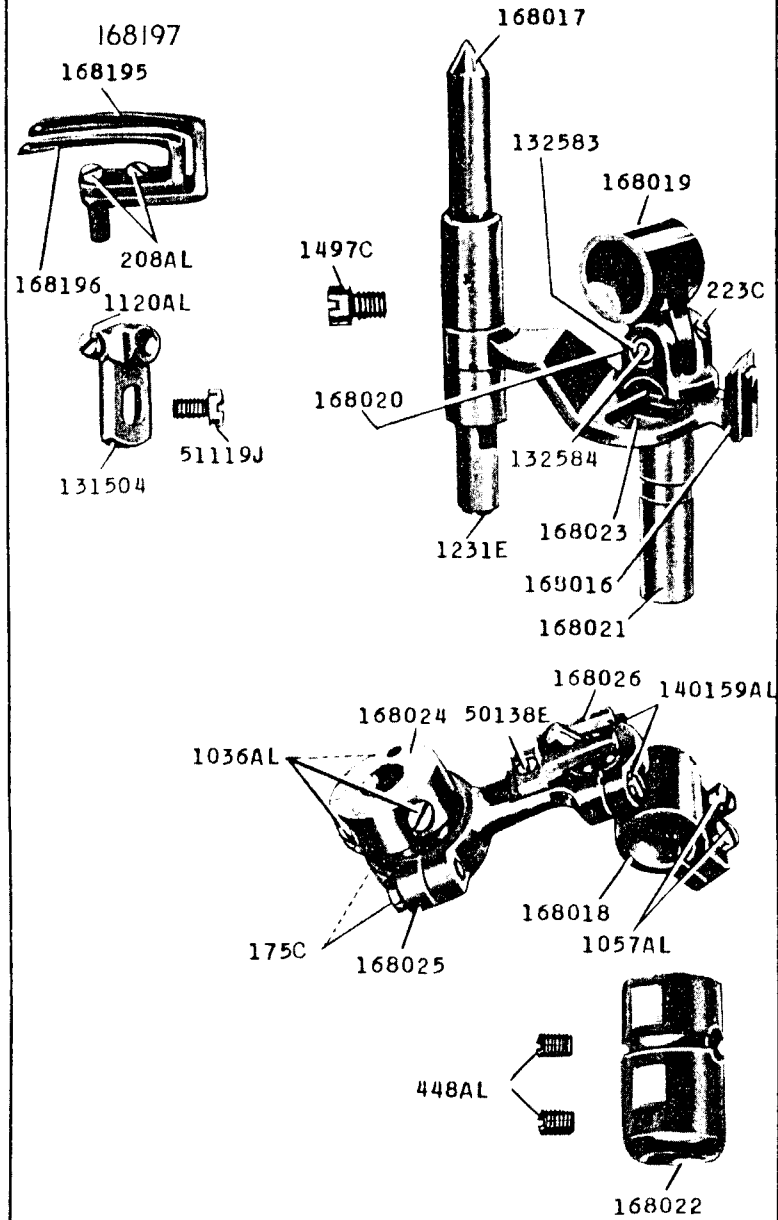
247-5



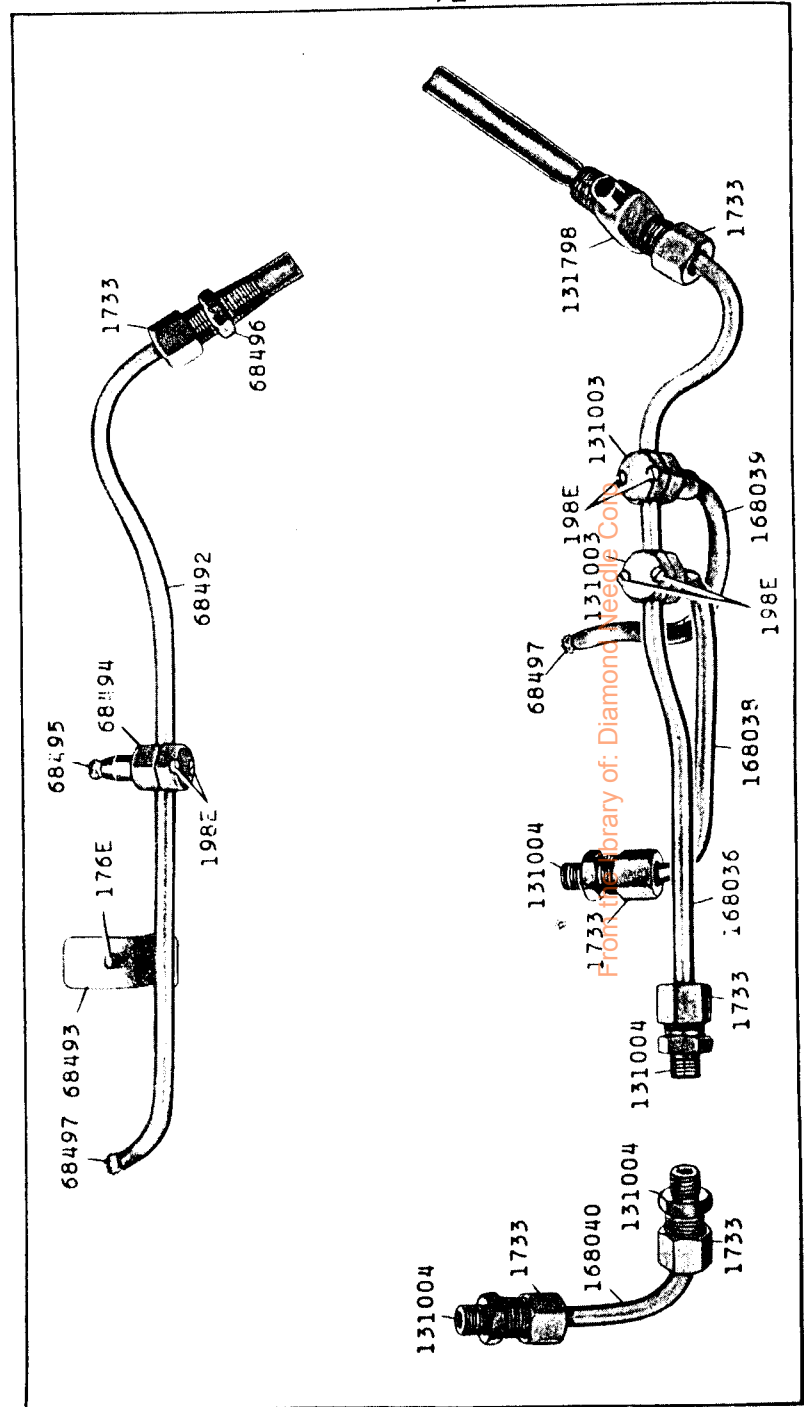
25560-2/3



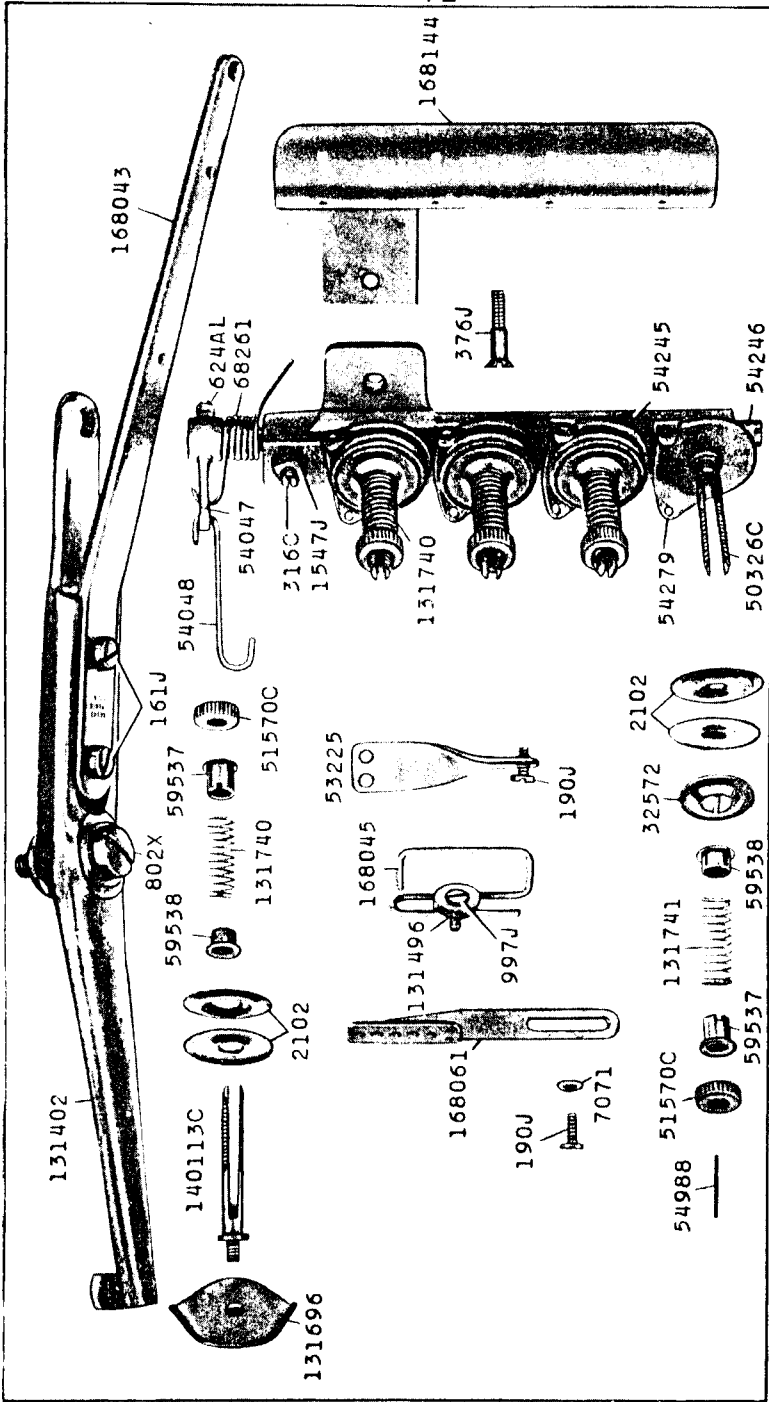
25561-2/3



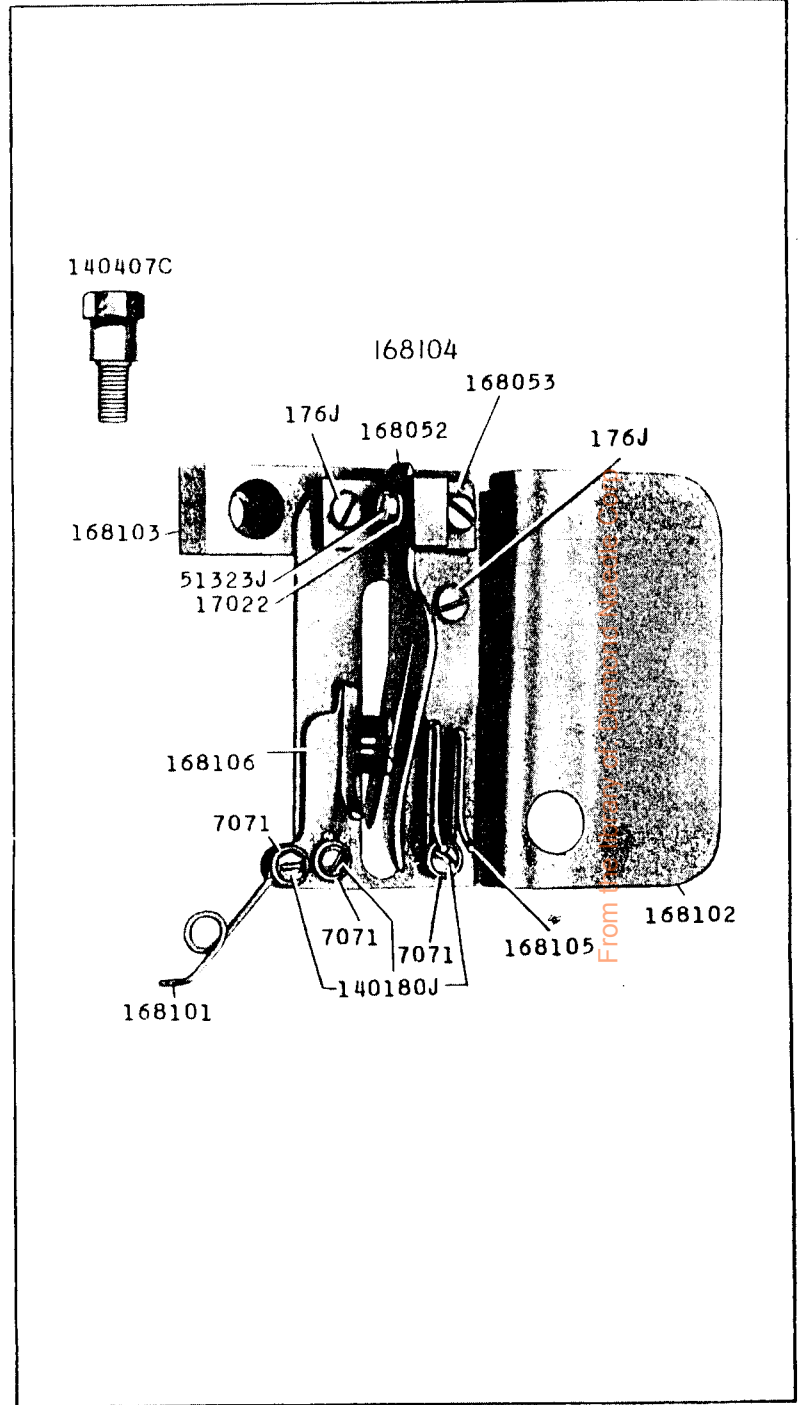
25562-1/2



25563-1/2

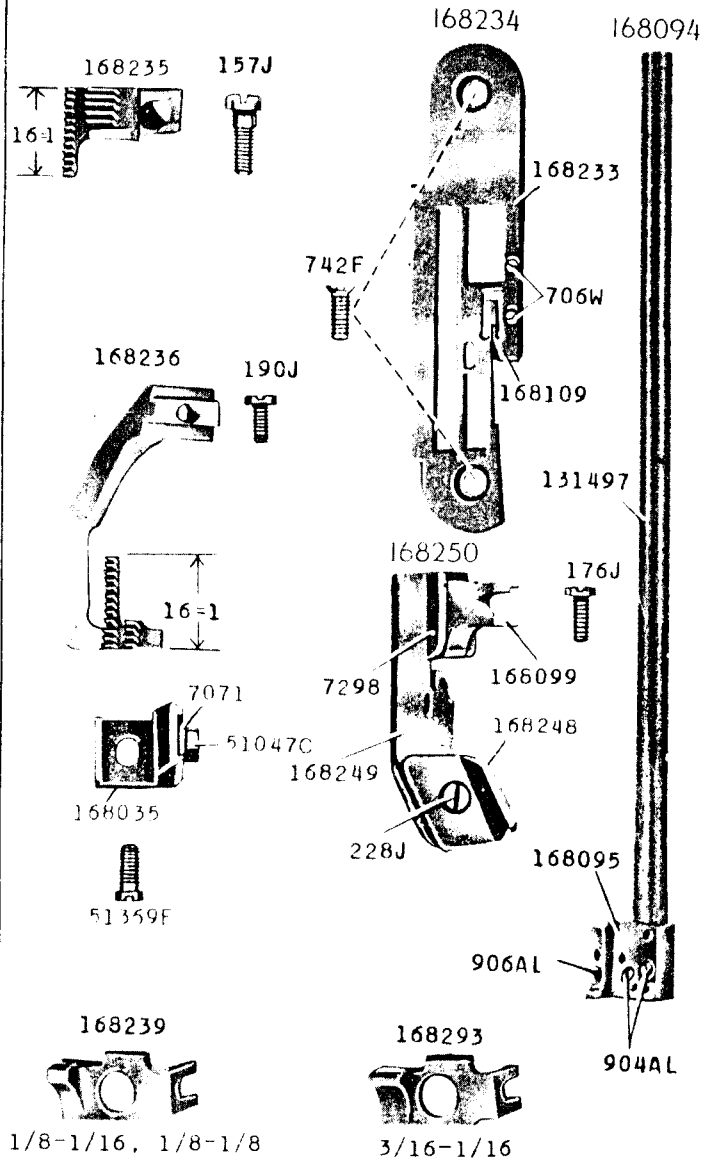


25564-2/3



25565-2/3

247-4



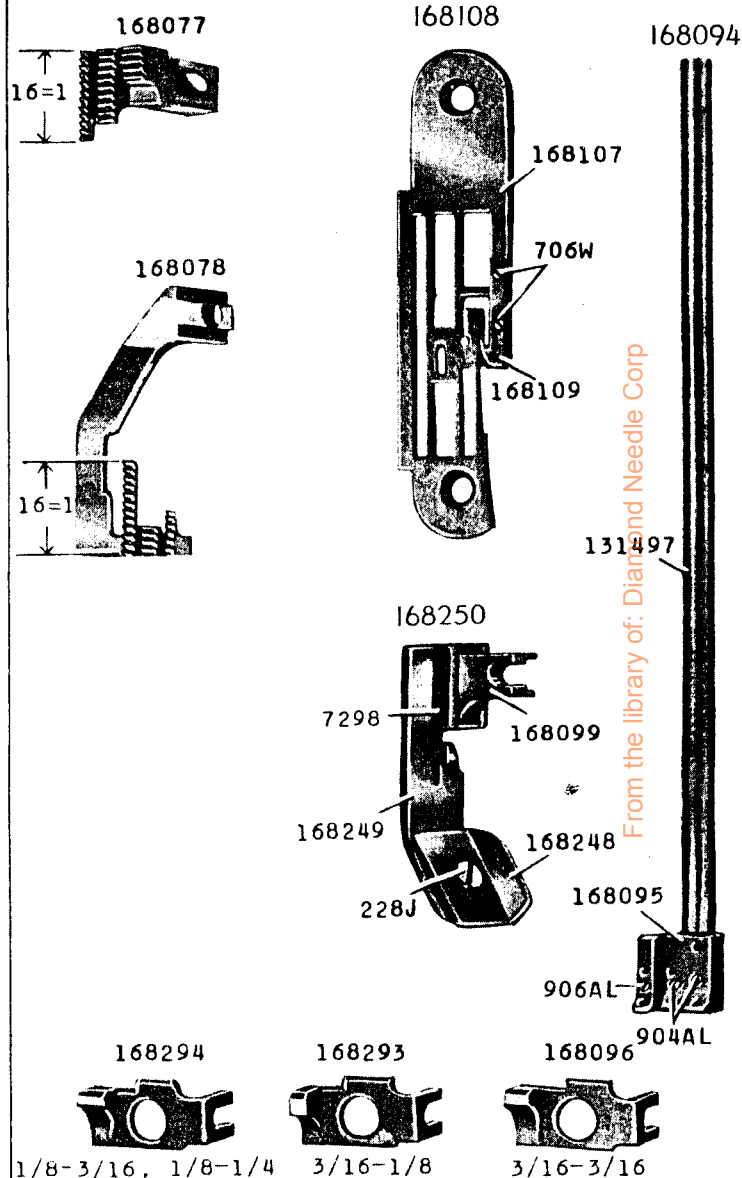
1/8-1/16, 1/8-1/8

3/16-1/16

1/8-1/16, 1/8-1/8, 3/16-1/16

25566-2/3

247-4



1/8-3/16, 1/8-1/4

3/16-1/8

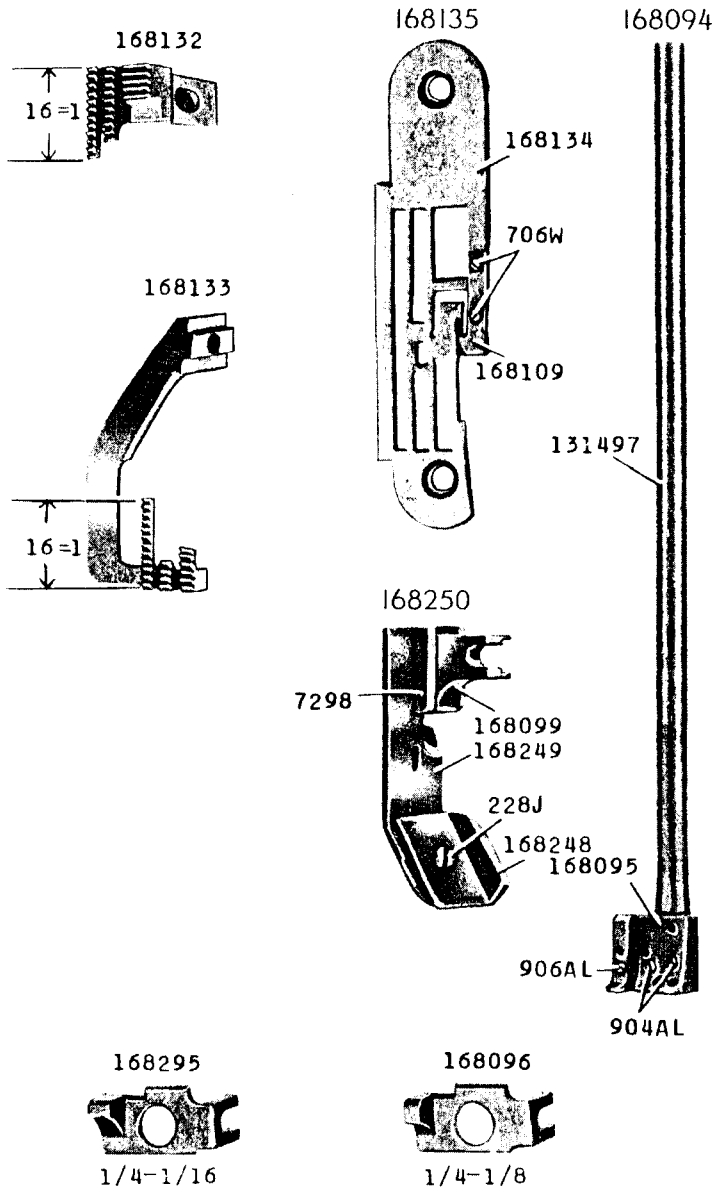
3/16-3/16

1/8-3/16, 1/8-1/4, 3/16-1/8, 3/16-3/16

From the library of: Diamond Needle Corp

25567-2/3

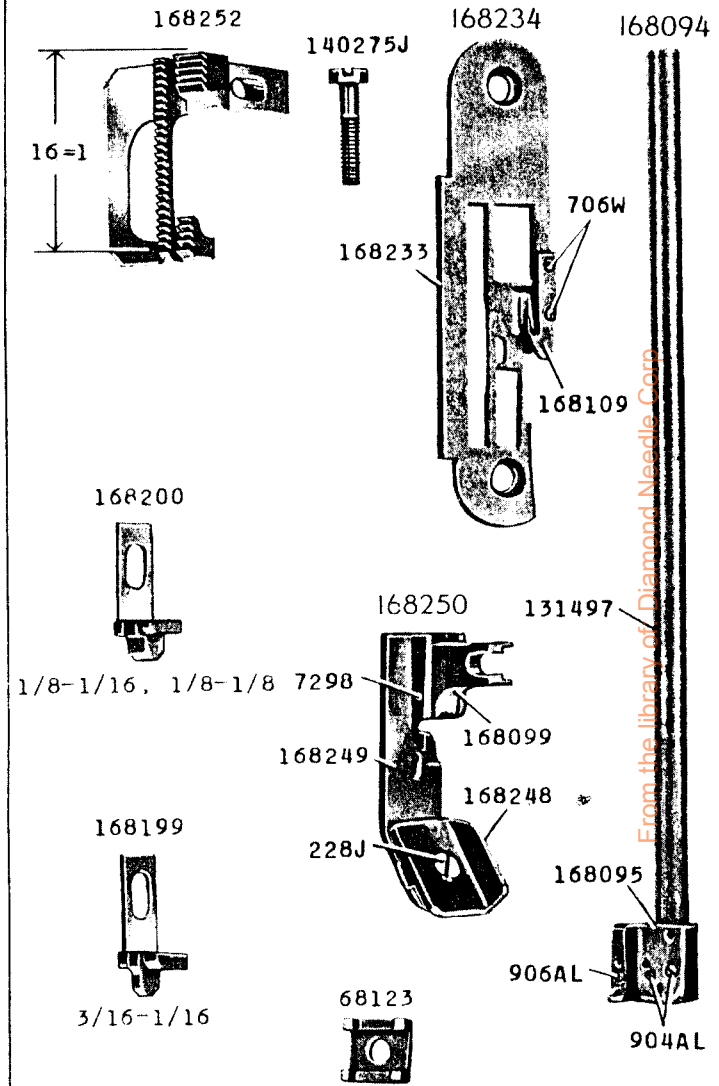
247-4



1/4-1/16, 1/4-1/8

25568-2/3

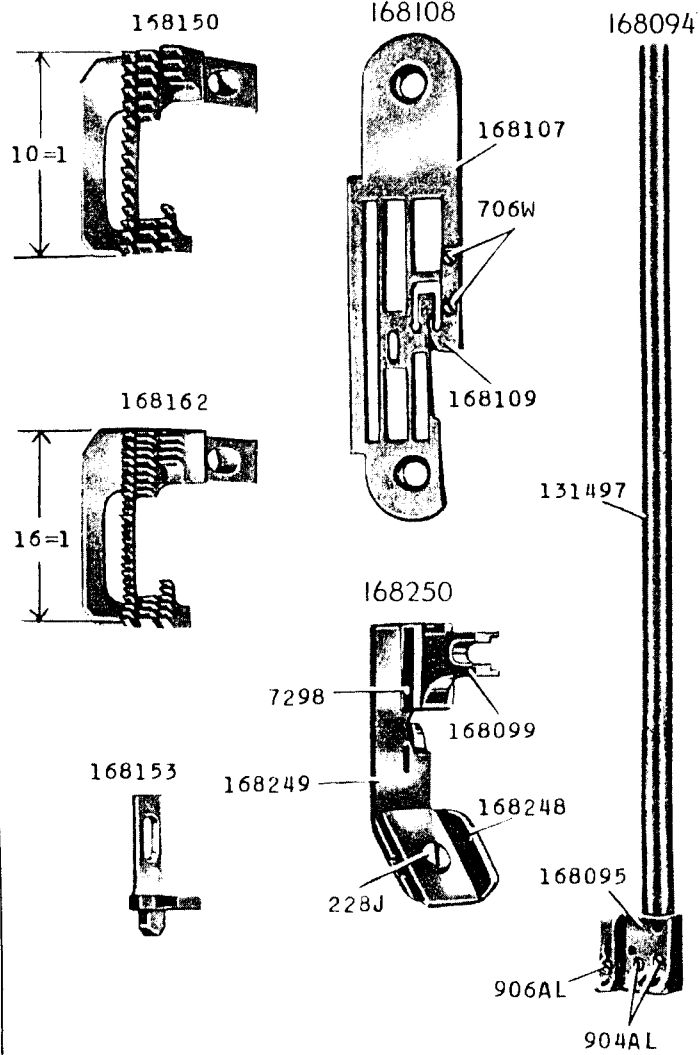
247-5



1/8-1/16, 1/8-1/8, 3/16-1/16

25569-2/3

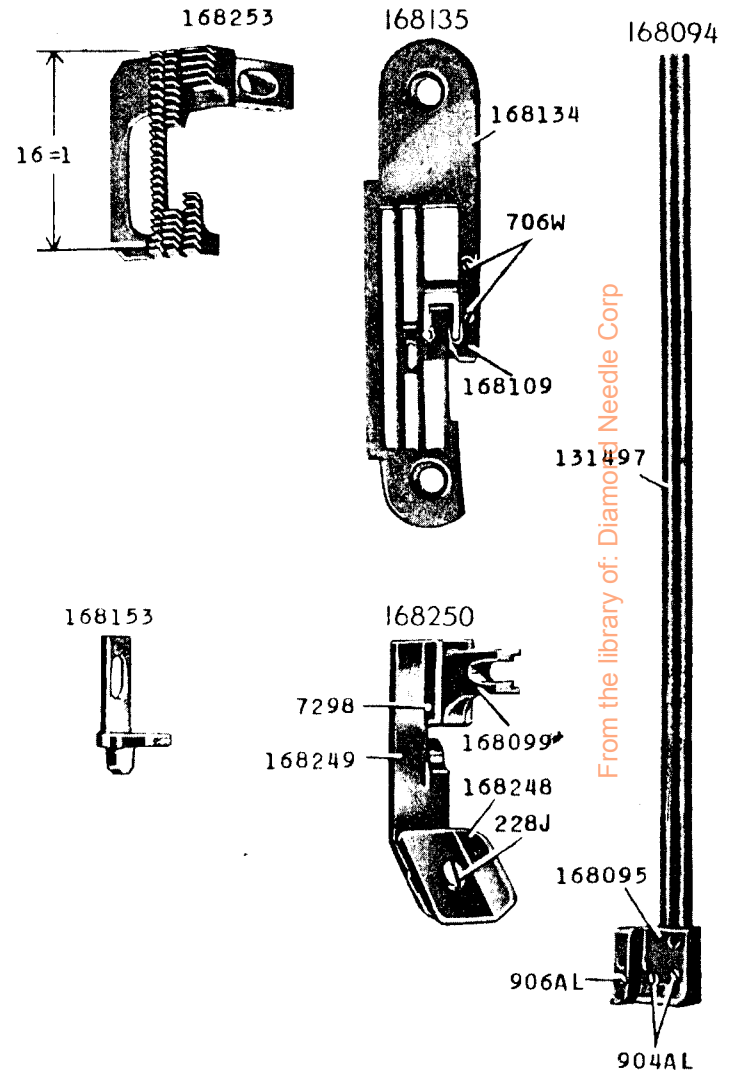
247-5



1/8-3/16, 1/8-1/4, 3/16-1/8, 3/16-3/16

25570-2/3

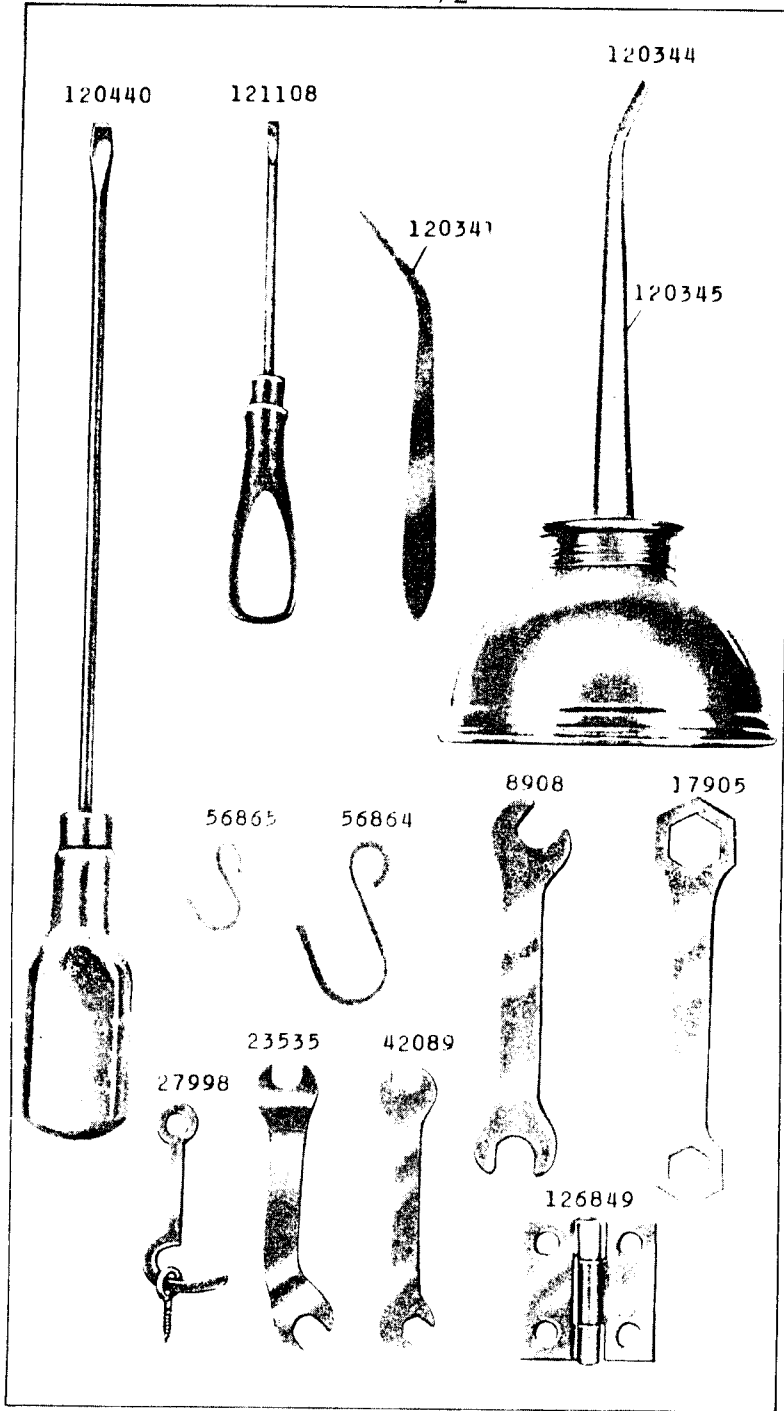
247-5



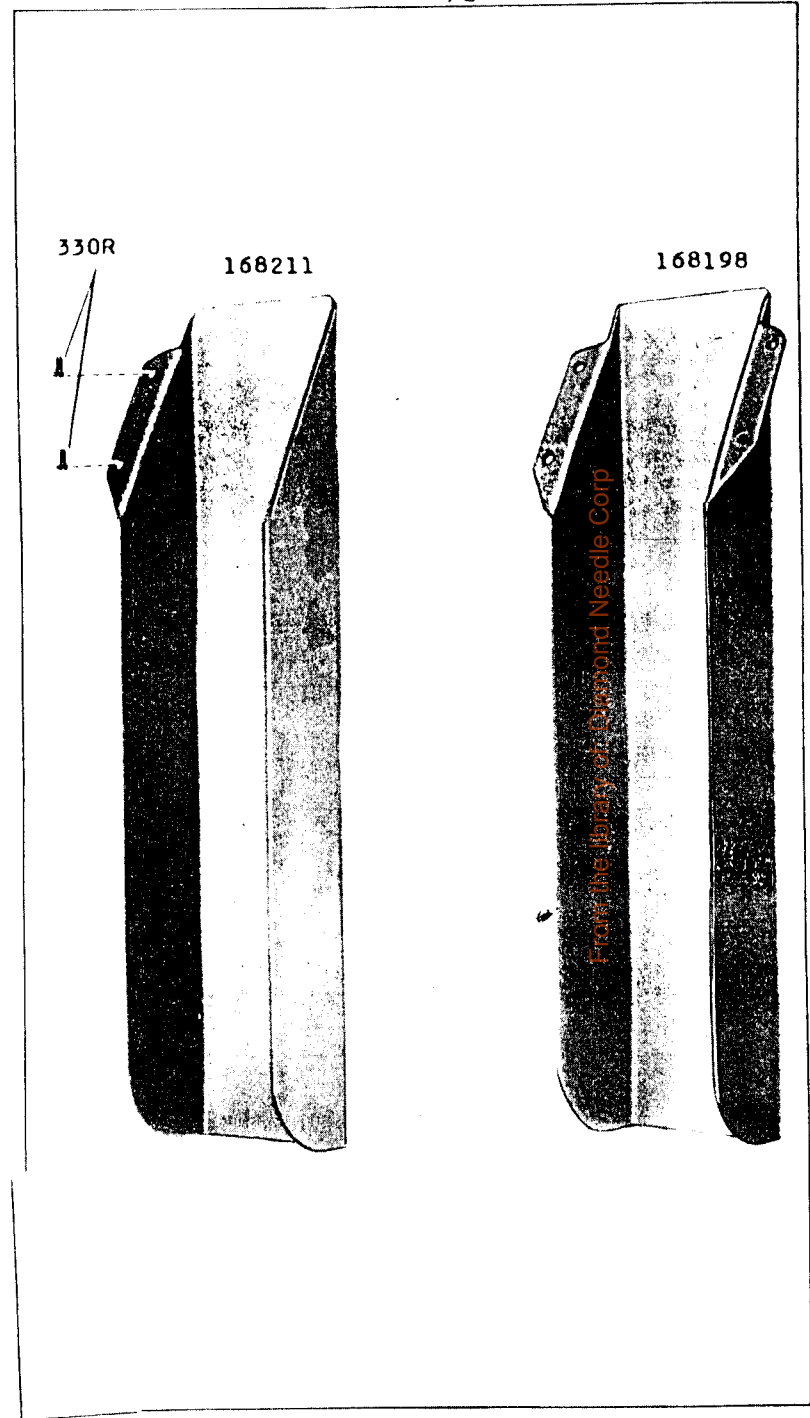
1/4-1/16, 1/4-1/8

From the library of: Diamond Needle Corp

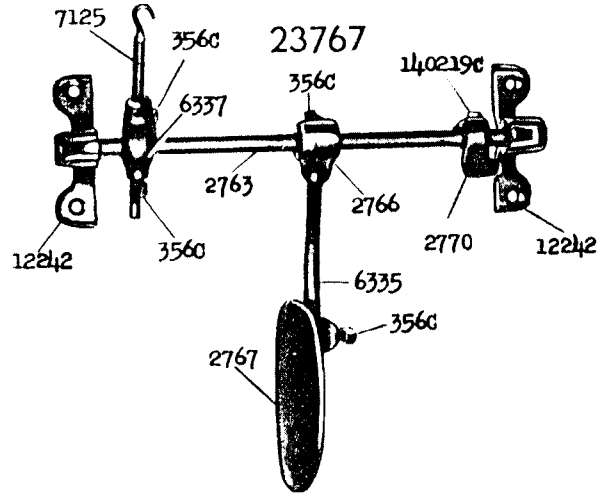
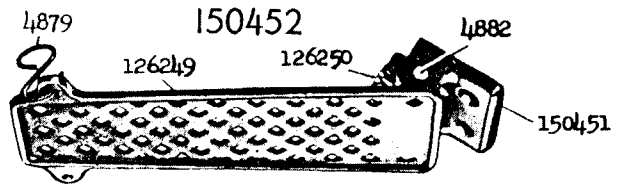
25571-1/2



25572-1/3



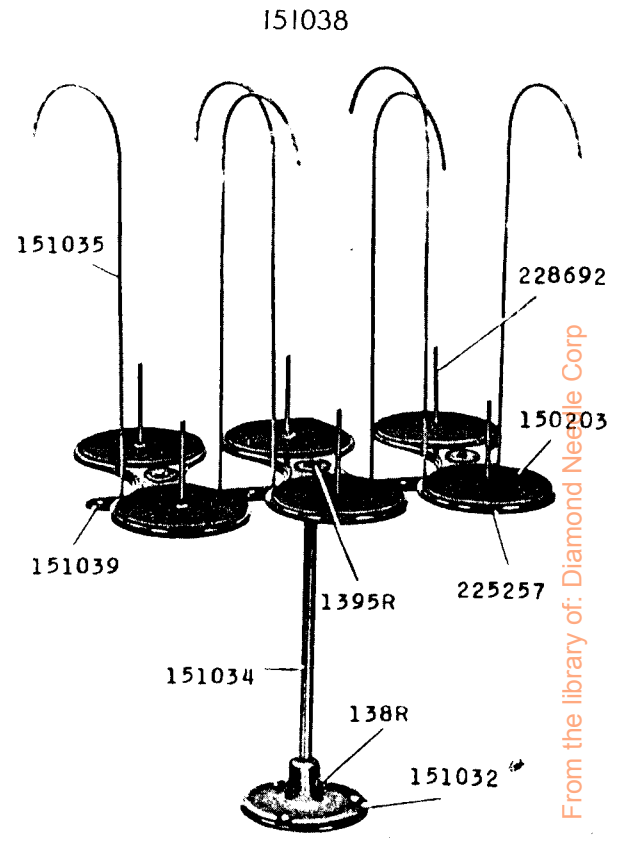
25573-1/4



168063



25574-1/6



From the library of: Diamond Needle Corp